

CONNECTICUT RIVER FLOOD CONTROL PROJECT

# CHICOPEE FALLS, MASS.

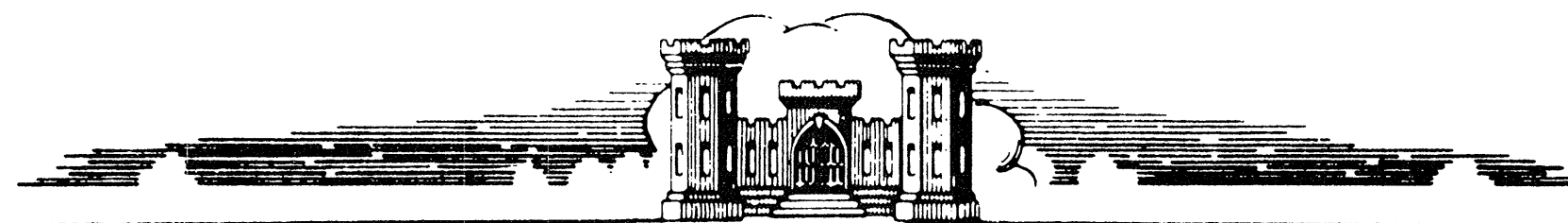
PLANS FOR THE

## LOCAL PROTECTION PROJECT

## CONSTRUCTION OF

CHICOPEE RIVER,

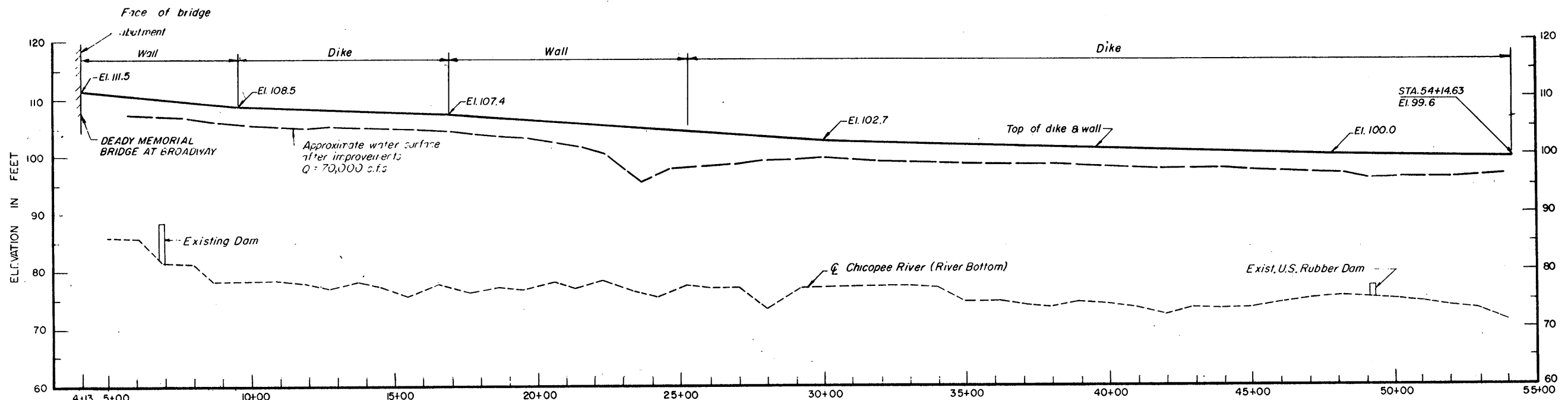
MASSACHUSETTS



U.S. Army Engineer Division, New England  
Corps of Engineers Waltham, Mass.

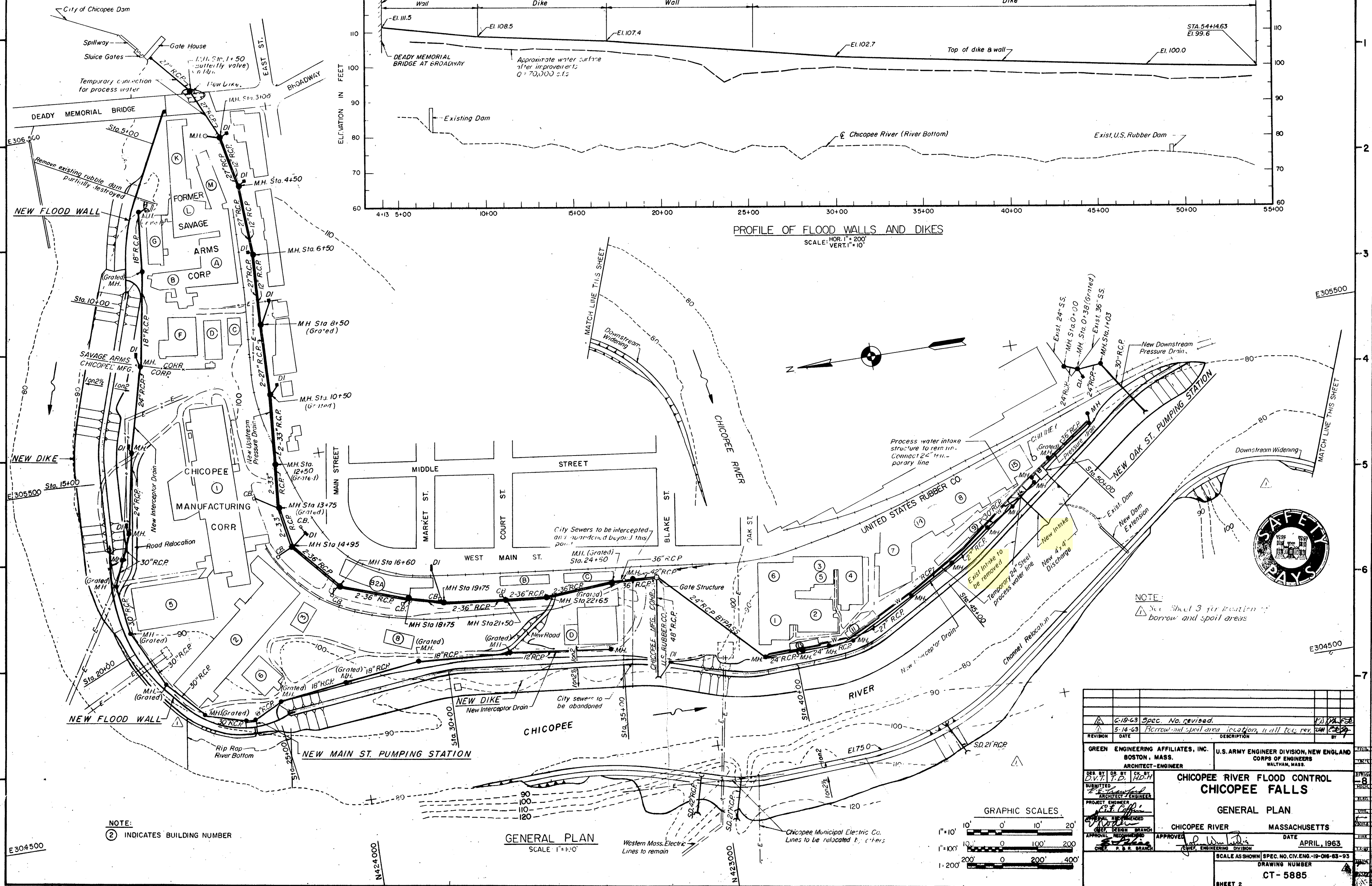
JUNE 1963

All drawings in this folio  
have been reduced to one  
half the original scale.



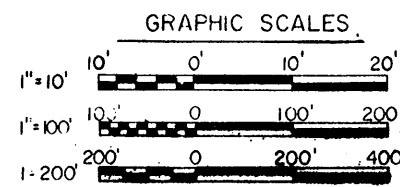
PROFILE OF FLOOD WALLS AND DIKES

SCALE: HOR. 1" = 200' VERT. 1" = 10'

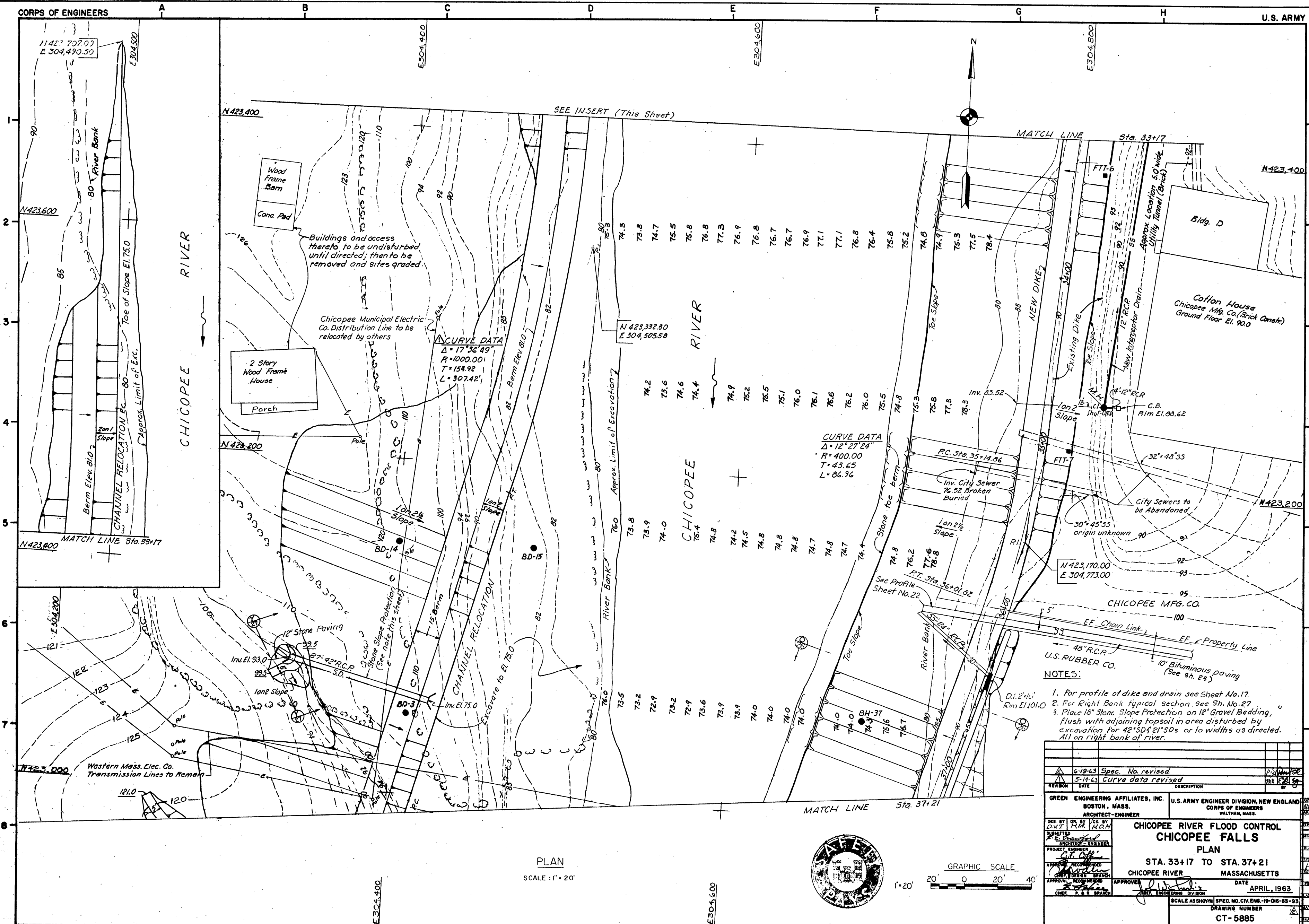


NOTE: (2) INDICATES BUILDING NUMBER

GENERAL PLAN SCALE: 1" = 100'



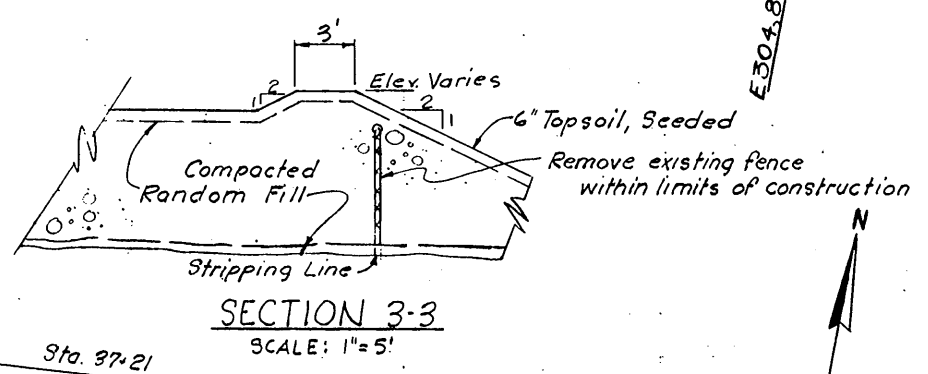
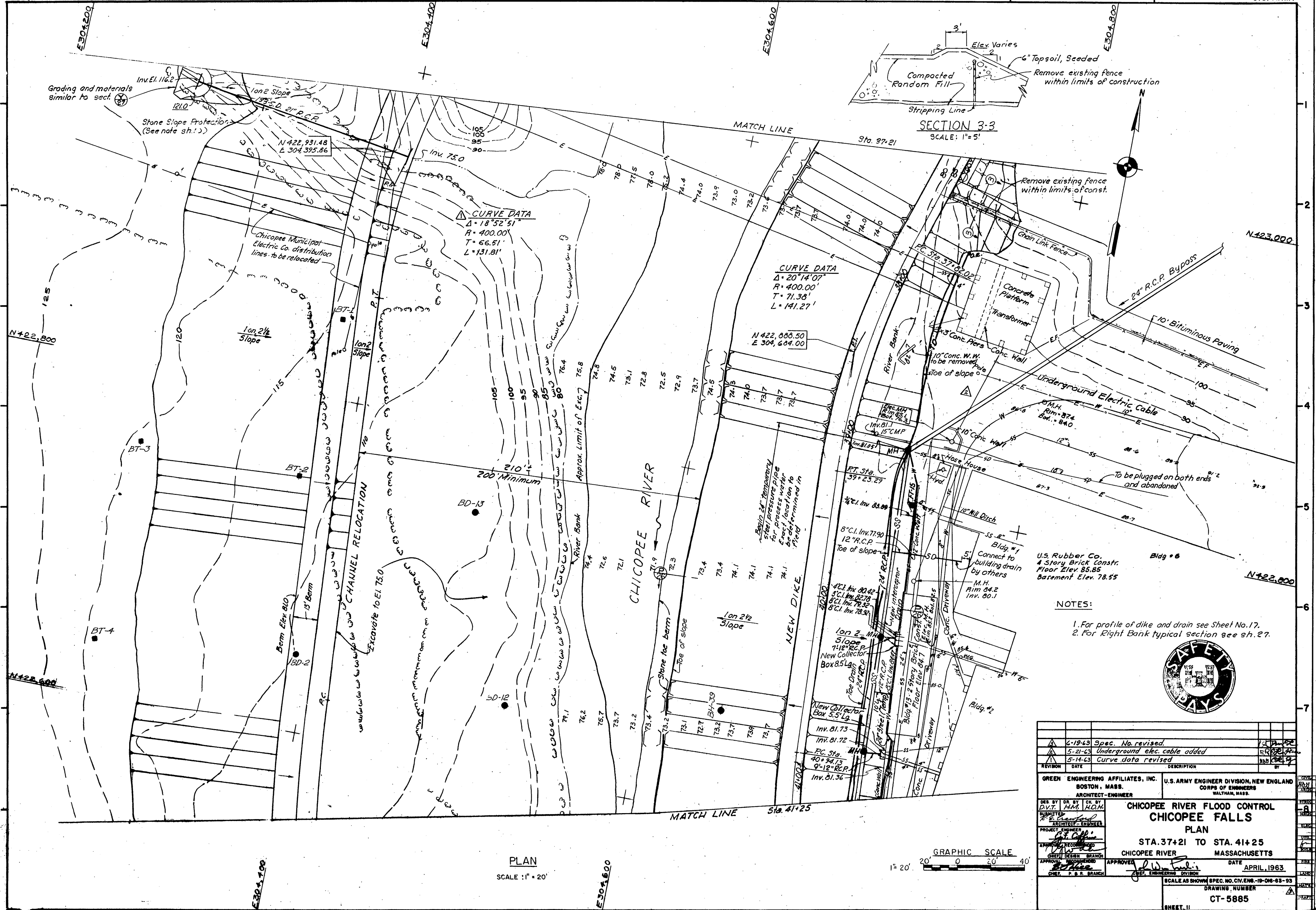
REVISION	DATE	DESCRIPTION	BY
6-18-63		Spec. No. revised.	
5-14-63		Flow and spoil area locations, all loc. rev.	
GREEN ENGINEERING AFFILIATES, INC. BOSTON, MASS. ARCHITECT-ENGINEER		U.S. ARMY ENGINEER DIVISION, NEW ENGLAND CORPS OF ENGINEERS WALTHAM, MASS.	
<b>CHICOPEE RIVER FLOOD CONTROL CHICOPEE FALLS</b>			
<b>GENERAL PLAN</b>			
CHICOPEE RIVER		MASSACHUSETTS	
APPROVED	DATE	APRIL, 1963	
SCALE AS SHOWN SPEC. NO. CIV. ENG. 10-06-63-93			
DRAWING NUMBER <b>CT-5885</b>			
SHEET 2			



- NOTES:**
1. For profile of dike and drain see Sheet No. 17.
  2. For Right Bank typical section see Sh. No. 27.
  3. Place 18" Stone Slope Protection on 12" Gravel Bedding, flush with adjoining topsoil in area disturbed by excavation for 42" SD's 21" SD's or to widths as directed. All on right bank of river.

6-19-43	Spec. No. revised	
5-14-43	Curve data revised	
REVISION	DATE	DESCRIPTION
GREEN ENGINEERING AFFILIATES, INC. BOSTON, MASS. ARCHITECT-ENGINEER		U.S. ARMY ENGINEER DIVISION, NEW ENGLAND CORPS OF ENGINEERS WALTHAM, MASS.
<b>CHICOPEE RIVER FLOOD CONTROL CHICOPEE FALLS PLAN</b>		
STA. 33+17 TO STA. 37+21 CHICOPEE RIVER MASSACHUSETTS		
APPROVED	DATE	APRIL, 1963
SCALE AS SHOWN		SPEC. NO. CIV. ENR. 10-016-83-93
DRAWING NUMBER		CT-5885
SHEET 10		

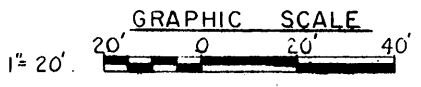




**CURVE DATA**  
 $\Delta = 18^\circ 52' 51''$   
 $R = 400.00'$   
 $T = 66.51'$   
 $L = 131.81'$

**CURVE DATA**  
 $\Delta = 20^\circ 14' 07''$   
 $R = 400.00'$   
 $T = 71.38'$   
 $L = 141.27'$

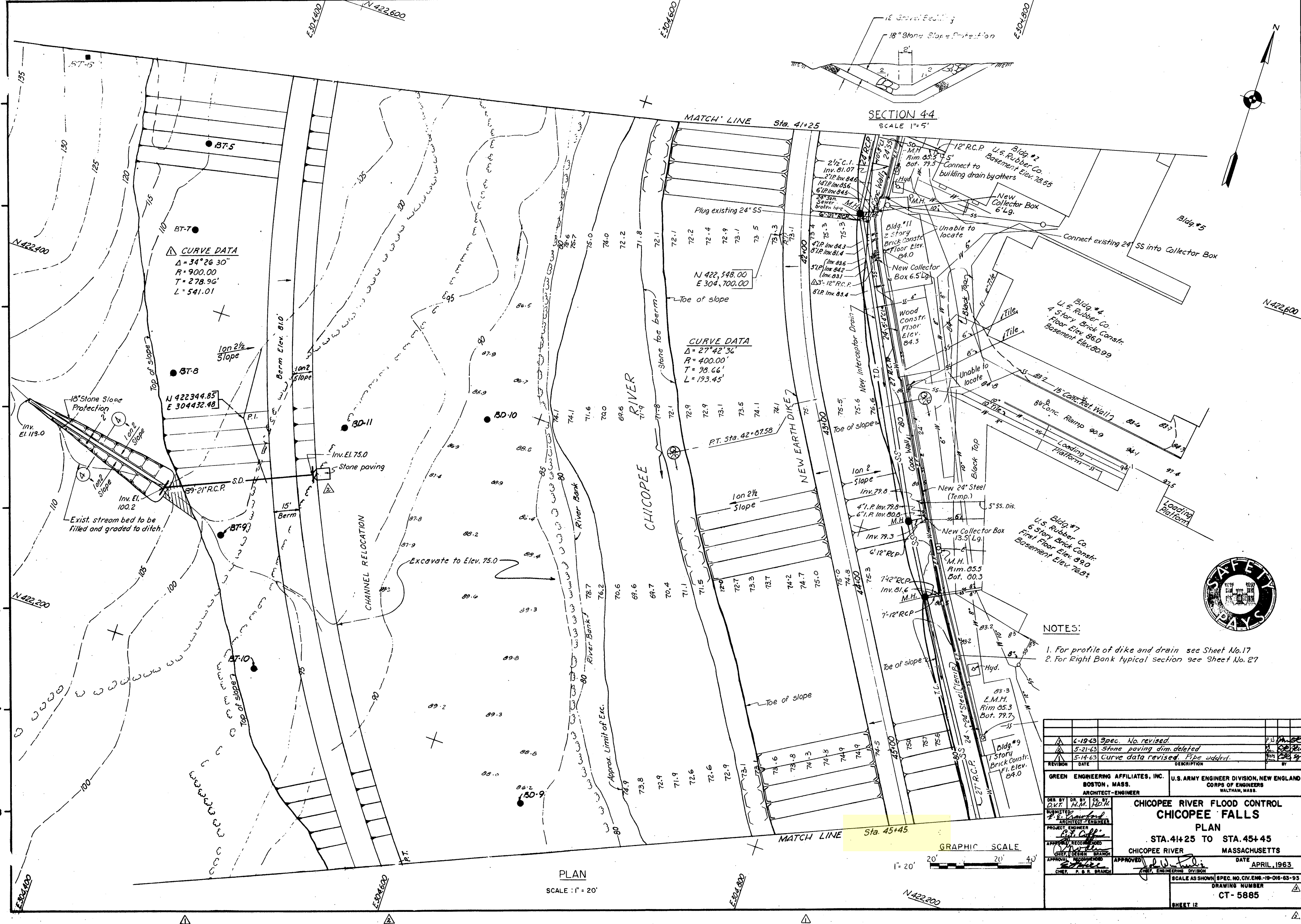
**PLAN**  
 SCALE: 1" = 20'



- NOTES:**
1. For profile of dike and drain see Sheet No. 17.
  2. For Right Bank typical section see sh. 27.



6-19-63 Spec. No. revised. 5-21-63 Underground elec. cable added 5-14-63 Curve data revised	U.S. ARMY ENGINEER DIVISION, NEW ENGLAND BOSTON, MASS. CORPS OF ENGINEERS WALTHAM, MASS.
<b>GREEN ENGINEERING AFFILIATES, INC.</b> BOSTON, MASS. ARCHITECT-ENGINEER	<b>CHICOPEE RIVER FLOOD CONTROL          CHICOPEE FALLS          PLAN</b> STA. 37+21 TO STA. 41+25 CHICOPEE RIVER MASSACHUSETTS DATE APRIL, 1963
DESIGNED BY: H.M. H.O.M. CHECKED BY: [Signature] APPROVED BY: [Signature]	SCALE AS SHOWN SPEC. NO. CIV. ENG. 19-06-63-93 DRAWING NUMBER <b>CT-5885</b> SHEET 11



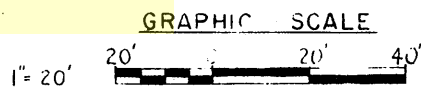
**CURVE DATA**  
 $\Delta = 34^{\circ}26'30''$   
 $R = 900.00$   
 $T = 278.96'$   
 $L = 541.01$

**CURVE DATA**  
 $\Delta = 27^{\circ}42'36''$   
 $R = 400.00$   
 $T = 98.66'$   
 $L = 193.45'$

- NOTES:**
1. For profile of dike and drain see Sheet No. 17
  2. For Right Bank typical section see Sheet No. 27



**PLAN**  
 SCALE: 1" = 20'



REVISION	DATE	DESCRIPTION	BY
4-19-63		Spec. No. revised	
5-21-63		Stone paving dim. deleted	
5-14-63		Curve data revised. Pipe added.	

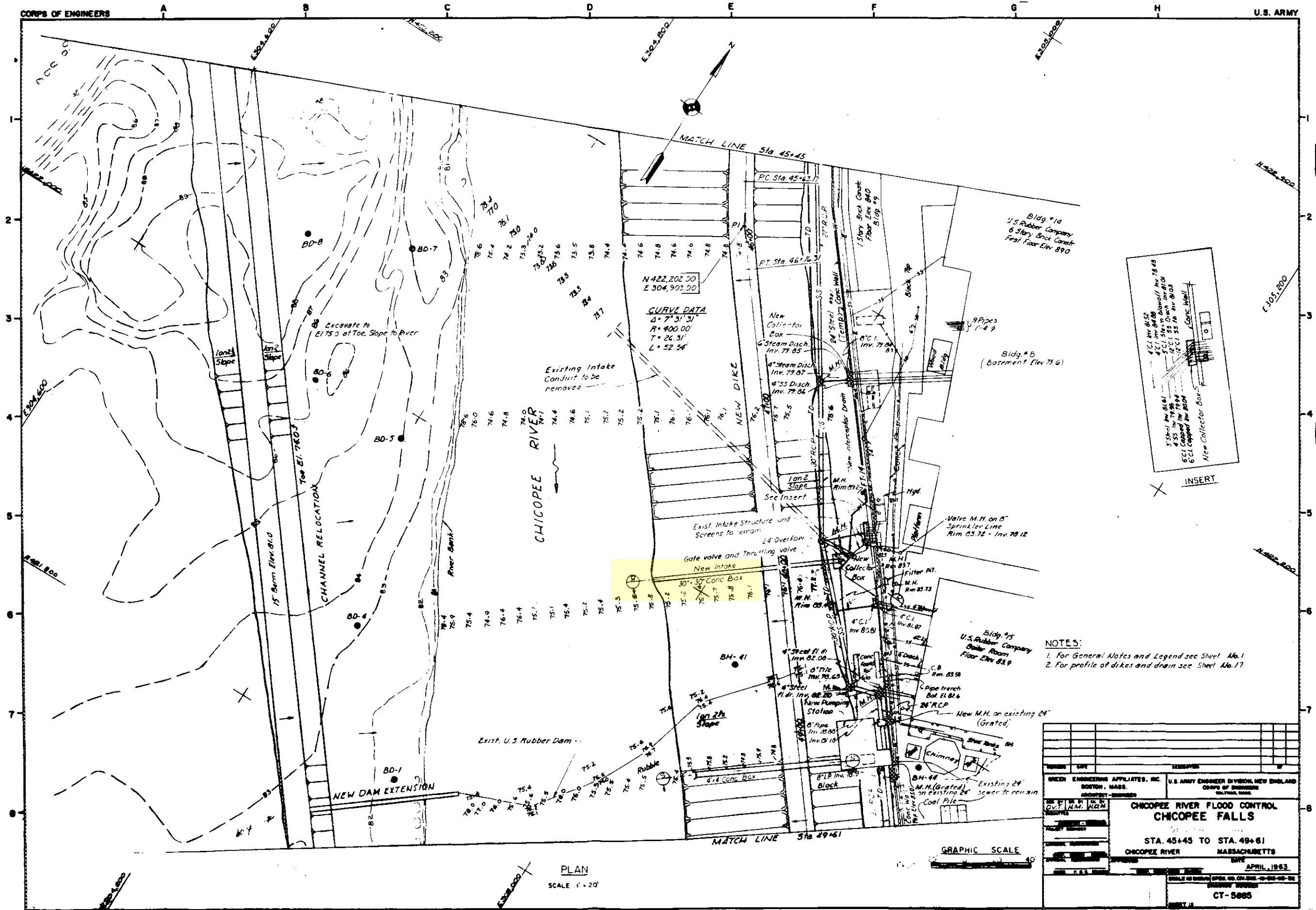
  

GREEN ENGINEERING AFFILIATES, INC. BOSTON, MASS. ARCHITECT-ENGINEER	U.S. ARMY ENGINEER DIVISION, NEW ENGLAND CORPS OF ENGINEERS WALTHAM, MASS. ARCHITECT-ENGINEER
---	--

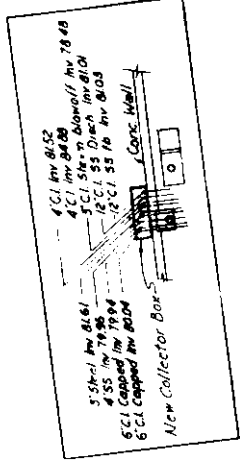
DESIGNED BY: DR. BY: CK. BY: H.M. H.D.M.	<b>CHICOPEE RIVER FLOOD CONTROL          CHICOPEE FALLS          PLAN</b> STA. 41+25 TO STA. 45+45 CHICOPEE RIVER MASSACHUSETTS
PROJECT ENGINEER: [Signature]	
APPROVED: [Signature]	DATE: APRIL, 1963
SCALE AS SHOWN SPEC. NO. CV. ENG. - 19-06-63-93 DRAWING NUMBER: CT-5885 SHEET 12	





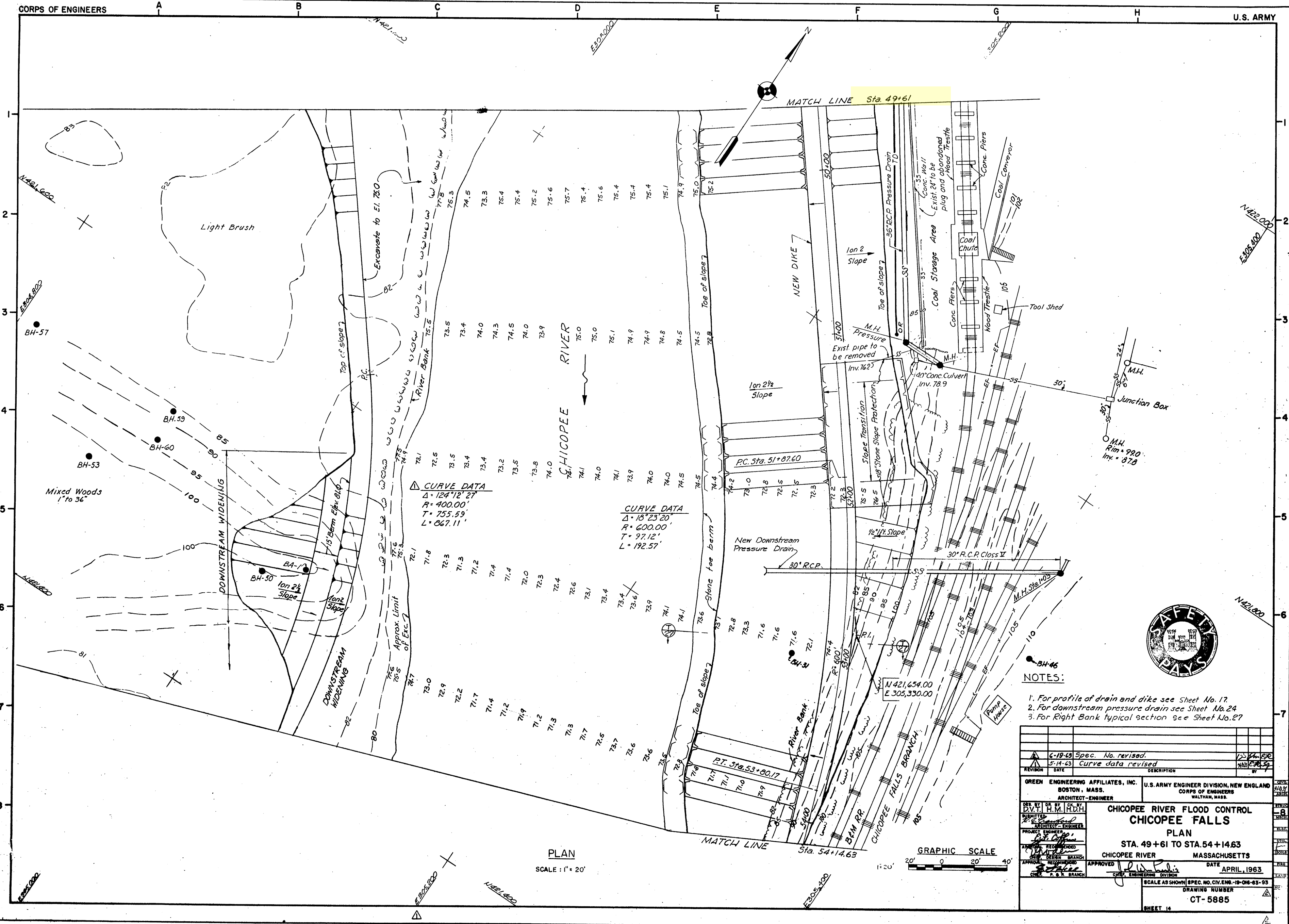
PLAN  
SCALE 1" = 20'

GRAPHIC SCALE  
40'



- NOTES:**  
 1. For General Notes and Legend see Sheet No. 1  
 2. For profile of dikes and drain see Sheet No. 17

DESIGNED BY D.V. M. M. M.	CHECKED BY D.V. M. M. M.	DATE APRIL 1963
GREEN ENGINEERING APPLICATES, INC. DORSET, MASS.		U.S. ARMY ENGINEER DIVISION NEW ENGLAND CORPS OF ENGINEERS WALTON, MASS.
<b>CHICOPEE RIVER FLOOD CONTROL CHICOPEE FALLS</b>		
STA. 45+45 TO STA. 49+61 CHICOPEE RIVER MASSACHUSETTS		
CT-5885		



**CURVE DATA**  
 $\Delta = 124^\circ 12' 27''$   
 $R = 400.00'$   
 $T = 755.59'$   
 $L = 867.11'$

**CURVE DATA**  
 $\Delta = 18^\circ 23' 20''$   
 $R = 600.00'$   
 $T = 97.12'$   
 $L = 192.57'$

**PLAN**  
 SCALE: 1" = 20'

**GRAPHIC SCALE**  
 0 20' 40'

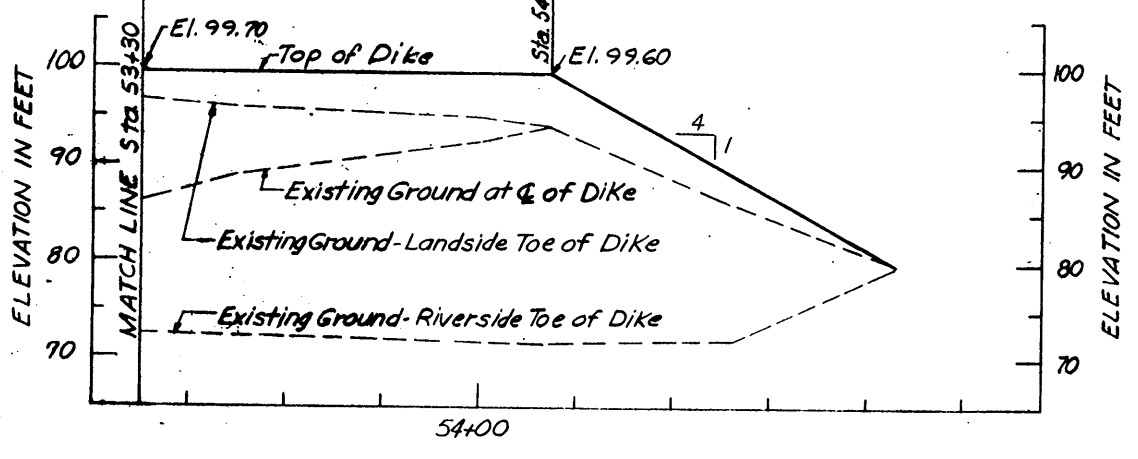
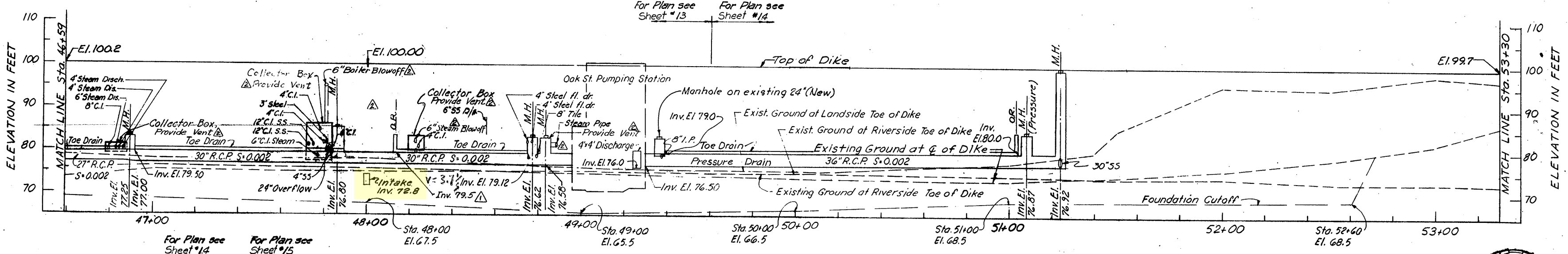
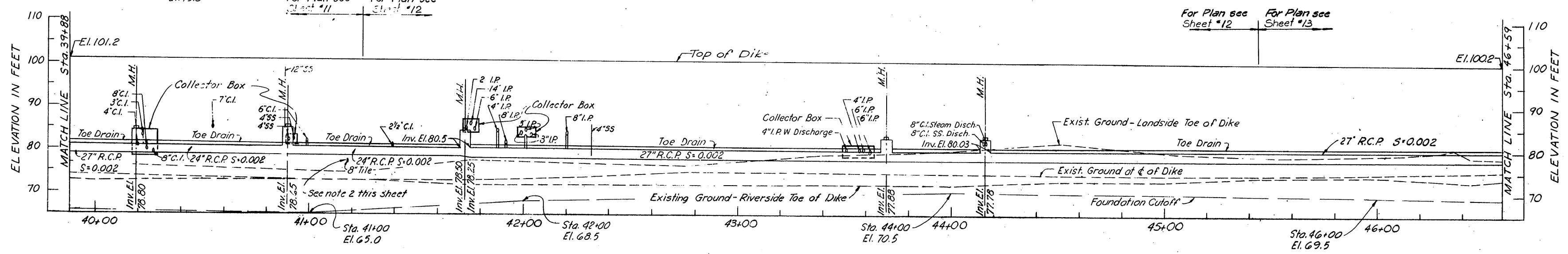
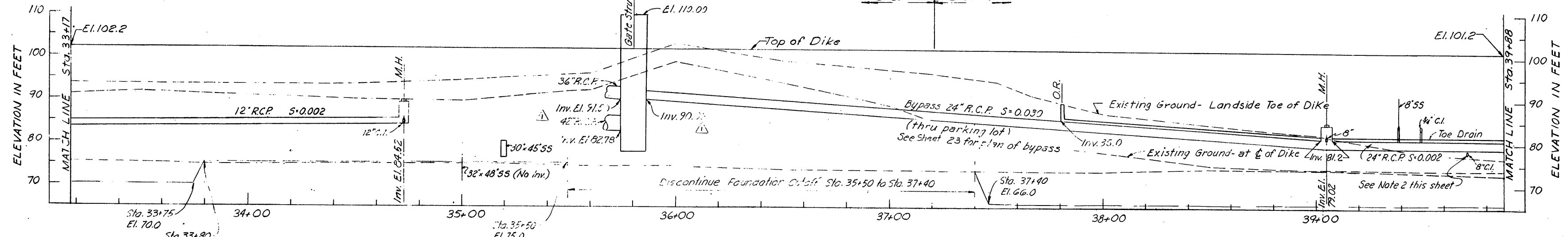
**NOTES:**

1. For profile of drain and dike see Sheet No. 17.
2. For downstream pressure drain see Sheet No. 24.
3. For Right Bank typical section see Sheet No. 27.

6-19-63	Spec. No. revised.	J.S.M./E.R.
5-11-63	Curve data revised	M.H.D./E.R.
REVISION	DATE	DESCRIPTION
GREEN ENGINEERING AFFILIATES, INC. BOSTON, MASS. ARCHITECT-ENGINEER		U.S. ARMY ENGINEER DIVISION, NEW ENGLAND CORPS OF ENGINEERS WALTHAM, MASS.
<b>CHICOPEE RIVER FLOOD CONTROL CHICOPEE FALLS PLAN</b>		
STA. 49+61 TO STA. 54+14.63		
CHICOPEE RIVER		MASSACHUSETTS
APPROVED	DATE	APRIL, 1963
SCALE AS SHOWN   SPEC. NO. CIV. ENG. 19-046-03-93		
DRAWING NUMBER <b>CT-5885</b>		
SHEET 14		

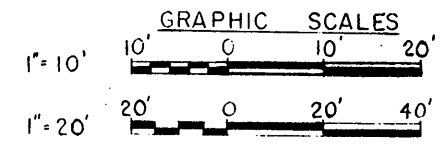






PROFILE — DIKE  
 HOR. 1"=20'  
 VERT. 1"=10'

- NOTES:**
1. For Plans see Sheets Nos 10, 11, 12, 13, 14 and 15.
  2. Reworking of roof leader piping for gravity connections and installation of sump pumps for basement pits at U.S. Rubber Bldgs. will be accomplished by others.
  3. For Vent details, see Sheet 36.

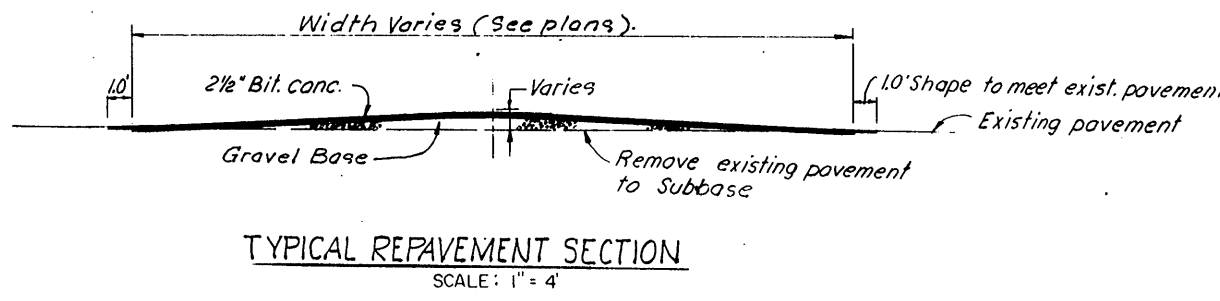
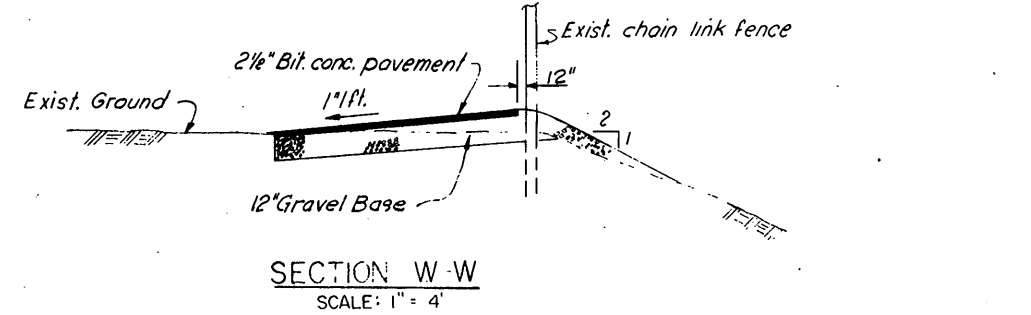
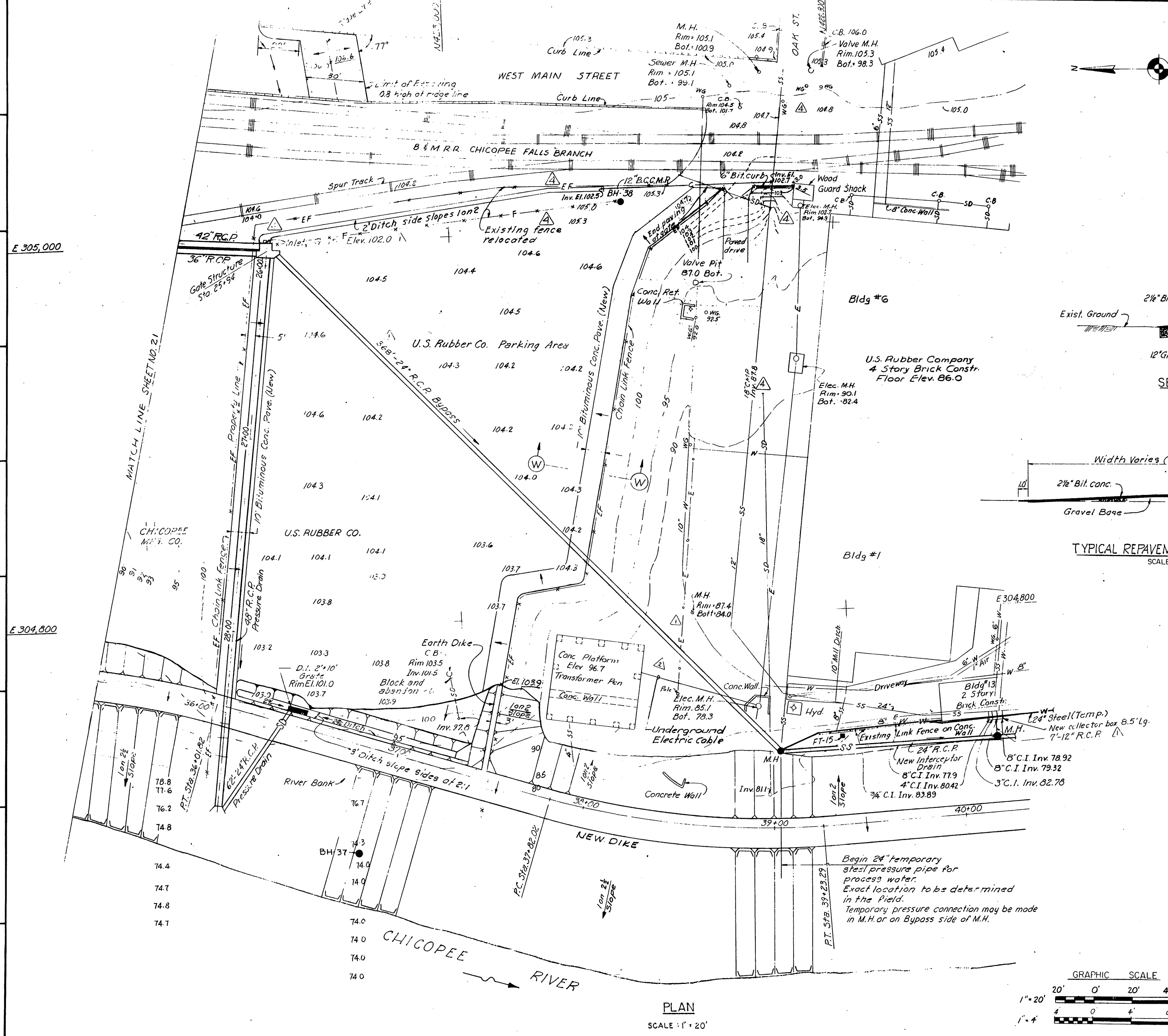


REVISION	DATE	DESCRIPTION	BY
△	6-20-63	Note revised (Am. #1)	DW/PE/PL
△	6-19-63	Spec. No revised	DW/PE/PL
△	5-21-63	Notes & vents added, Blowoffs mod.	DW/PE/PL
△	5-14-63	Invert elev revised, O.R. added	DW/PE/PL

DESIGNED BY D.V.T. H.M. H.D.H.	PROJECT ENGINEER [Signature]	U.S. ARMY ENGINEER DIVISION, NEW ENGLAND CORPS OF ENGINEERS WALTHAM, MASS.
APPROVED [Signature]	CHIEF DESIGN BRANCH [Signature]	CHICOPEE RIVER FLOOD CONTROL CHICOPEE FALLS PROFILES STA. 33+17 TO STA. 54+14.63 CHICOPEE RIVER MASSACHUSETTS
APPROVAL RECOMMENDED [Signature]	DATE APRIL, 1963	SCALE AS SHOWN SPEC. NO. CN. ENR. -10-016-63-93
CHIEF, P. & S. BRANCH	DRAWING NUMBER CT-5885	SHEET 17



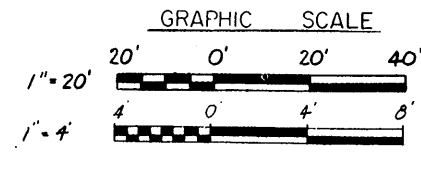


- NOTES:
1. Stream Pressure Drain Profile see Sheet No. 22.
  2. For 4" and Interceptor Drain Profile see Sheet No. 17.
  3. Existing fences within limits of construction are to be removed and replaced where required.

REVISION	DATE	DESCRIPTION	BY
1	6-24-63	Bit curb & culvert added. Notes paved area & conc. ditch deleted. Ditch fences revised. (Am#3)	WJ
2	6-13-63	Spec. No. revised.	WJ
3	5-21-63	Underground elec. cable added	WJ
4	5-14-63	Added 2x6 line pipe to 4" R.C.P. on 1" R.C.P.	WJ

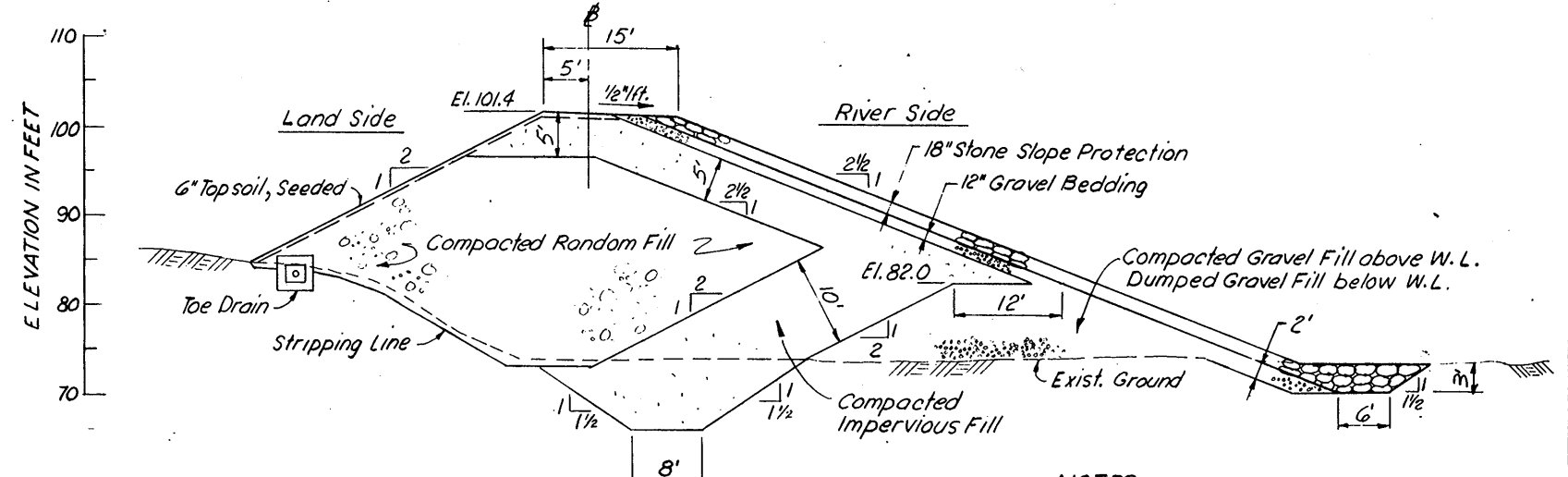
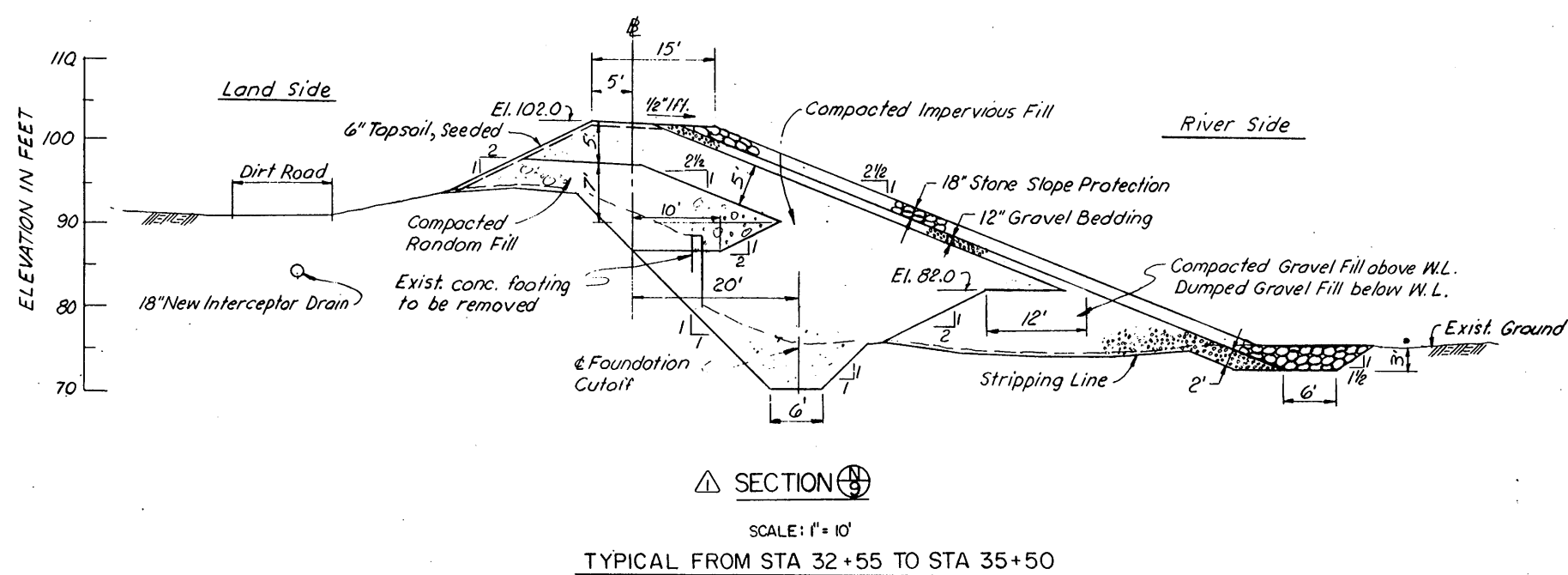
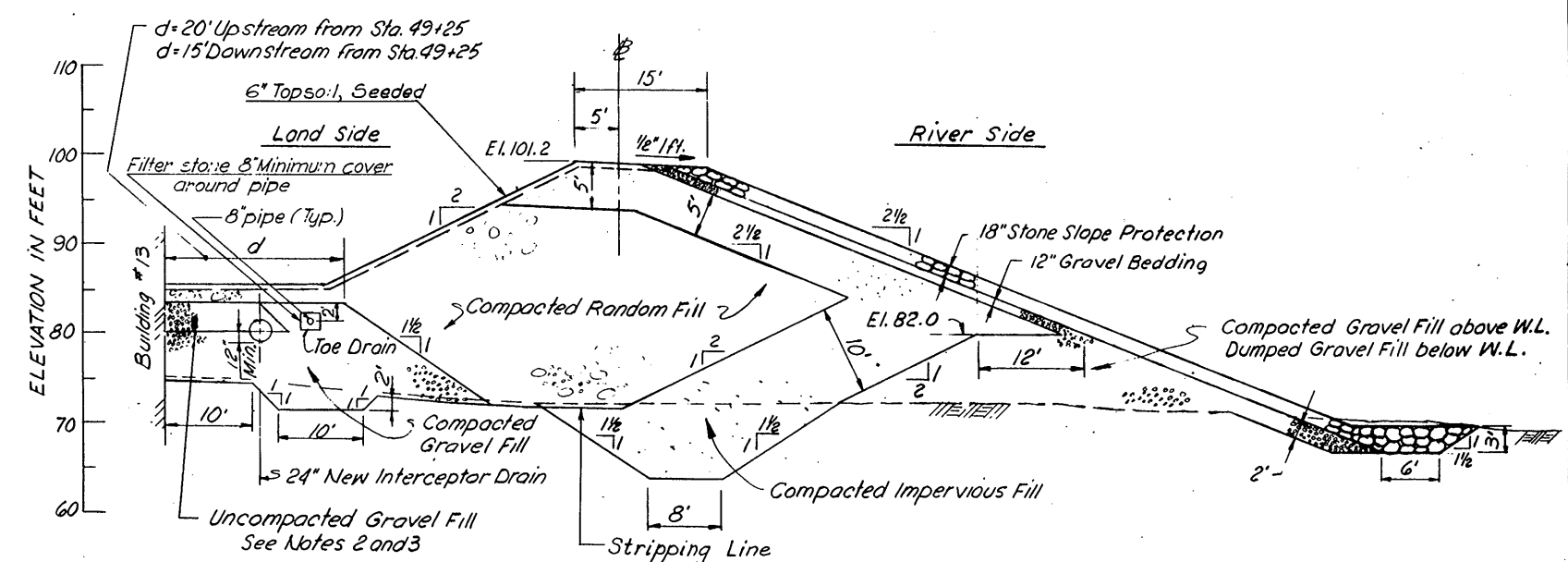
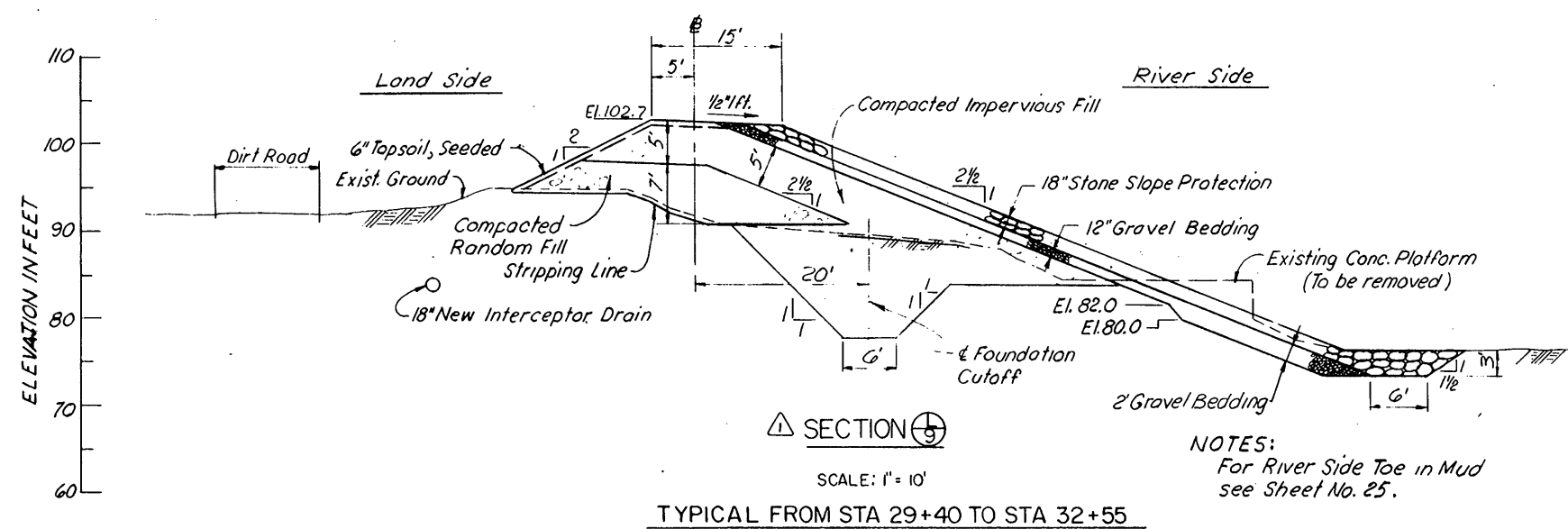
GREEN ENGINEERING AFFILIATES, INC. BOSTON, MASS. ARCHITECT-ENGINEER	U.S. ARMY ENGINEER DIVISION, NEW ENGLAND CORPS OF ENGINEERS WALTHAM, MASS.
DESIGNED BY: H.O.H.	CHECKED BY: H.O.H.
<b>CHICOPEE RIVER FLOOD CONTROL CHICOPEE FALLS</b>	
<b>DRAINAGE PLAN</b>	
CHICOPEE RIVER	MASSACHUSETTS
APPROVED: [Signature]	DATE: APRIL, 1963
SCALE AS SHOWN SPEC. NO. CN. ENG. -19-06-63-93	
DRAWING NUMBER <b>CT-5885</b>	
SHEET 23	



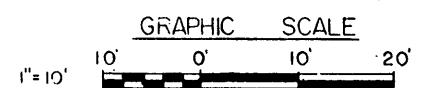
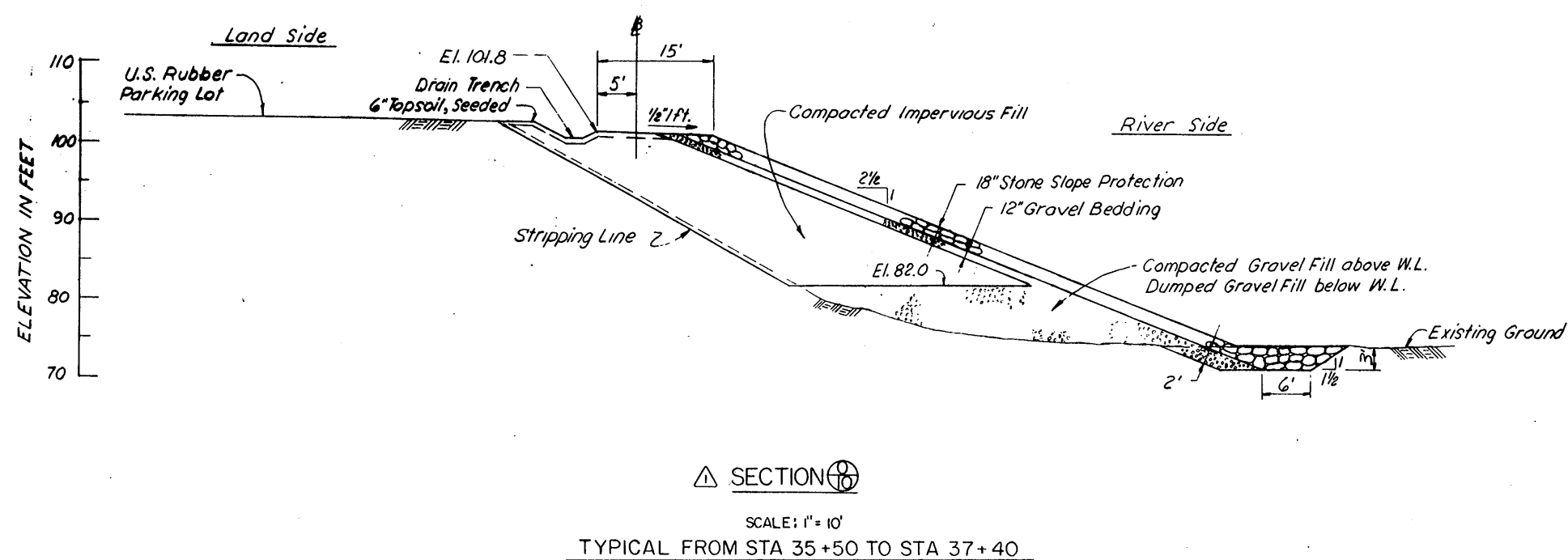
PLAN  
SCALE: 1" = 20'







- NOTES:
- 1. W.L. indicates Water Level occurring during construction.
  - 2. Top of compacted gravel fill within 10' of outer limits of utility structures and within 5' of center line of transverse connector pipes shall be 12" above the bottom of pipes and structures before their installation.
  - 3. Within 10' of center line of transverse connector pipes, fill for depth of 2' above top of pipe will be uncompacted gravel fill.



REVISION	DATE	DESCRIPTION	BY
6-19-63		Spec. No. revised.	
5-14-63		Sections deleted and added; notes added; section geometry and dimensions revised.	

DESIGNED BY D.M.T.	CHECKED BY R.B. E.S.	APPROVED BY [Signature]	DATE APRIL, 1963
GREEN ENGINEERING AFFILIATES, INC. BOSTON, MASS.		U.S. ARMY ENGINEER DIVISION, NEW ENGLAND CORPS OF ENGINEERS WALTHAM, MASS.	
<b>CHICOPEE RIVER FLOOD CONTROL CHICOPEE FALLS TYPICAL SECTIONS NO. 2 DIKE</b>			
CHICOPEE RIVER		MASSACHUSETTS	
DRAWING NUMBER <b>CT-5885</b>			
SHEET 20			

