

# 24X24X8 FR HD SQ HOLE GRATE 8" 3FLG

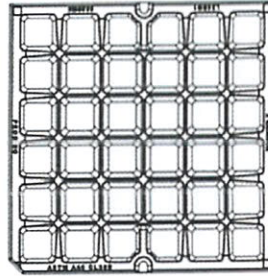
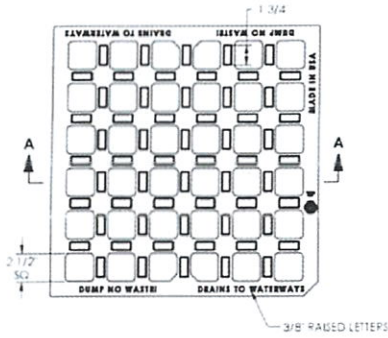
OMA552000028



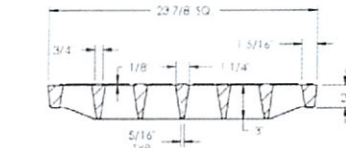
00552060

Quantity: 1

## 5520M5 Grate



BOTTOM VIEW



SECTION A-A

Product Number  
00552060

**Design Features**

- Materials  
-Gray Iron (CL35B)
- Design Load  
-Heavy Duty
- Open Area  
-217 sq in
- Coating  
-Uncoated
- ∕∕ Designates Machined Surface
- Weight  
-170 Lbs

**Certification**

- ASTM A48
- ASTM H30-45
- M20 Load Rated
- Country of Origin USA

**Drawing Revision**

- 3/26/2008 Designer TWR
- 10/4/2012 Revised By SDC

**Disclaimer**  
Weights (lbs./kg), dimensions (inches/mm) and drawings provided for your guidance. We reserve the right to modify specifications without prior notice.

CONFIDENTIAL: This drawing is the property of EJ GROUP, Inc. and embodies confidential information, registered marks, patents, trade secret information and/or know how that is the property of EJ GROUP, Inc. Copyright © 2011 EJ GROUP, Inc. All rights reserved.

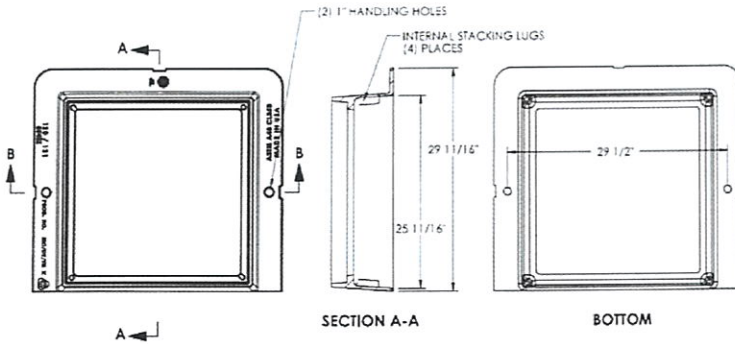
**Contact**  
800 626 4653  
ejco.com

## 5548Z Frame



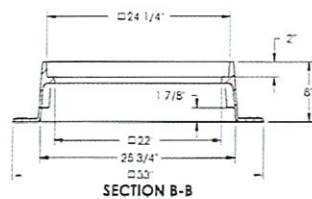
00554813

Quantity: 1



SECTION A-A

BOTTOM



SECTION B-B

Product Number  
00554813

**Design Features**

- Materials  
-Gray Iron (CL35B)
- Design Load  
-Heavy Duty
- Open Area  
-N/A
- Coating  
-Uncoated
- ∕∕ Designates Machined Surface

**Certification**

- ASTM A48
- M20
- ASTM M306
- Country of Origin USA

**Drawing Revision**

- 5/13/2009 Designer DEW
- 9/24/2014 Revised By DAE

**Disclaimer**  
Weights (lbs./kg), dimensions (inches/mm) and drawings provided for your guidance. We reserve the right to modify specifications without prior notice.

CONFIDENTIAL: This drawing is the property of EJ GROUP, Inc. and embodies confidential information, registered marks, patents, trade secret information and/or know how that is the property of EJ GROUP, Inc. Copyright © 2011 EJ GROUP, Inc. All rights reserved.

**Contact**  
800 626 4653  
ejco.com

**Disclaimer**

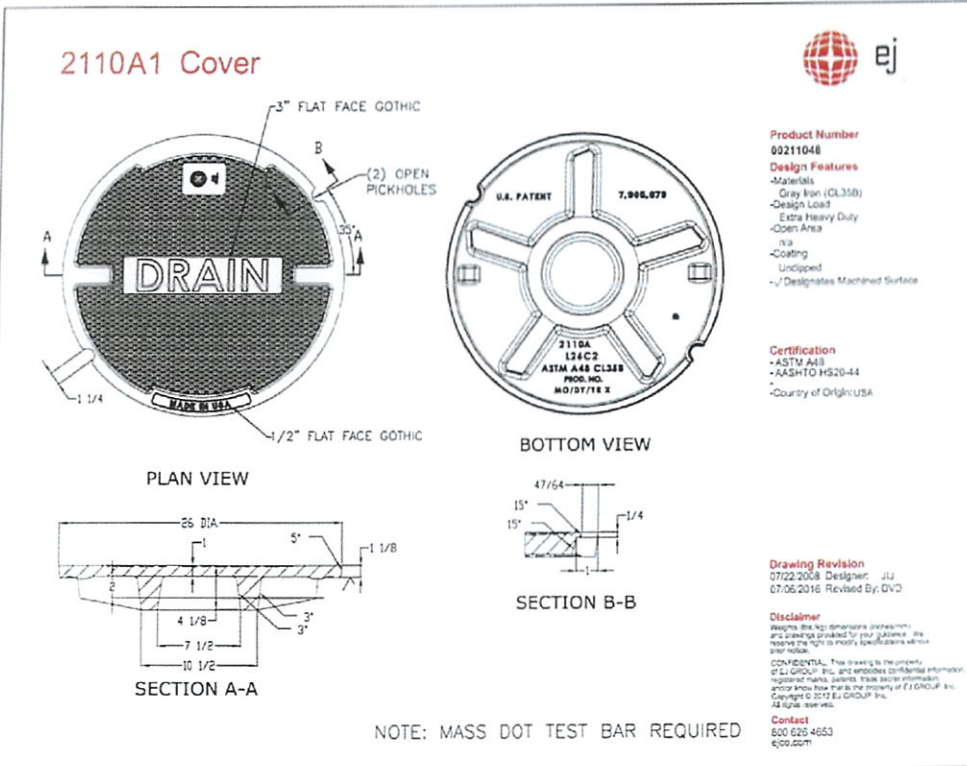
Weight (lbs./kg), dimensions (inches/mm) and drawings provided for your guidance. We reserve the right to modify specifications without prior notices.

CONFIDENTIAL: This drawing is the property of EJ GROUP, Inc., and embodies confidential information, registered marks, patents, trade secret information, and/or know how that is the property of EJ GROUP, Inc. Copyright © 1/2 2017 EJ GROUP, Inc. All rights reserved.

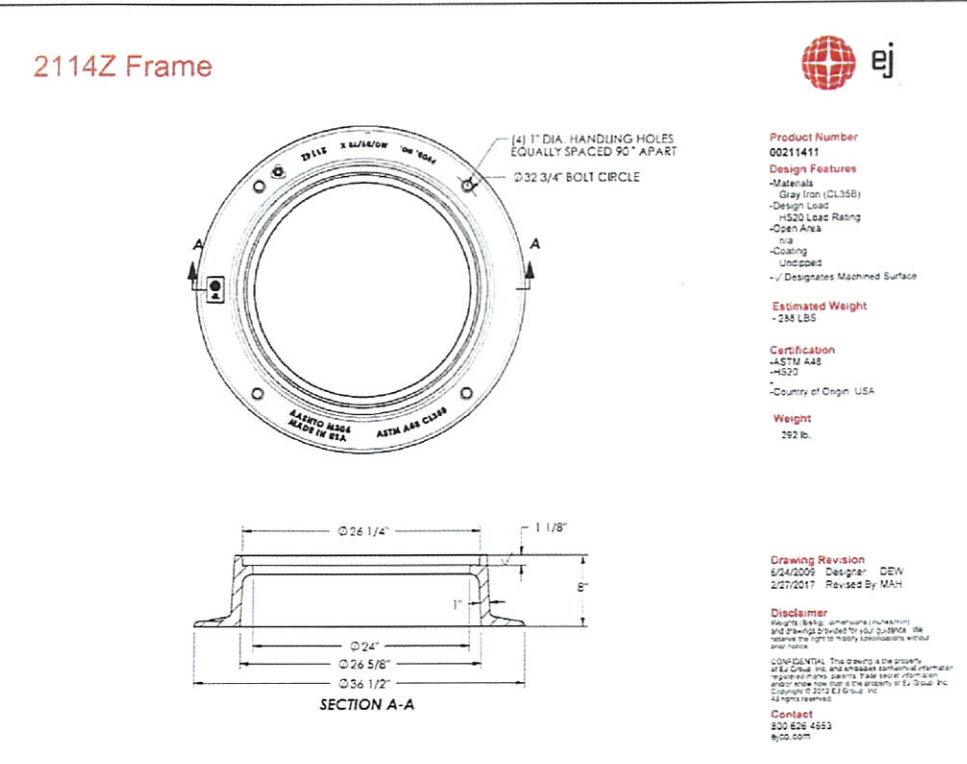
**Contact**  
800 626 4653  
ejco.com

# MassDOT Standard 26 x 8 Frame and Drain Cover

OMA211000059



00211048  
 Quantity: 1



00211411  
 Quantity: 1

**Disclaimer**  
 Weight (lbs/kg), dimensions (inches/mm) and drawings provided for your guidance. We reserve the right to modify specifications without prior notices.

CONFIDENTIAL: This drawing is the property of EJ GROUP, Inc. and embodies confidential information, registered marks, patents, trade secret information, and/or know-how that is the property of EJ GROUP, Inc. Copyright © 2017 EJ GROUP, Inc. All rights reserved.

**Contact**  
 800 626 4653  
 ejco.com

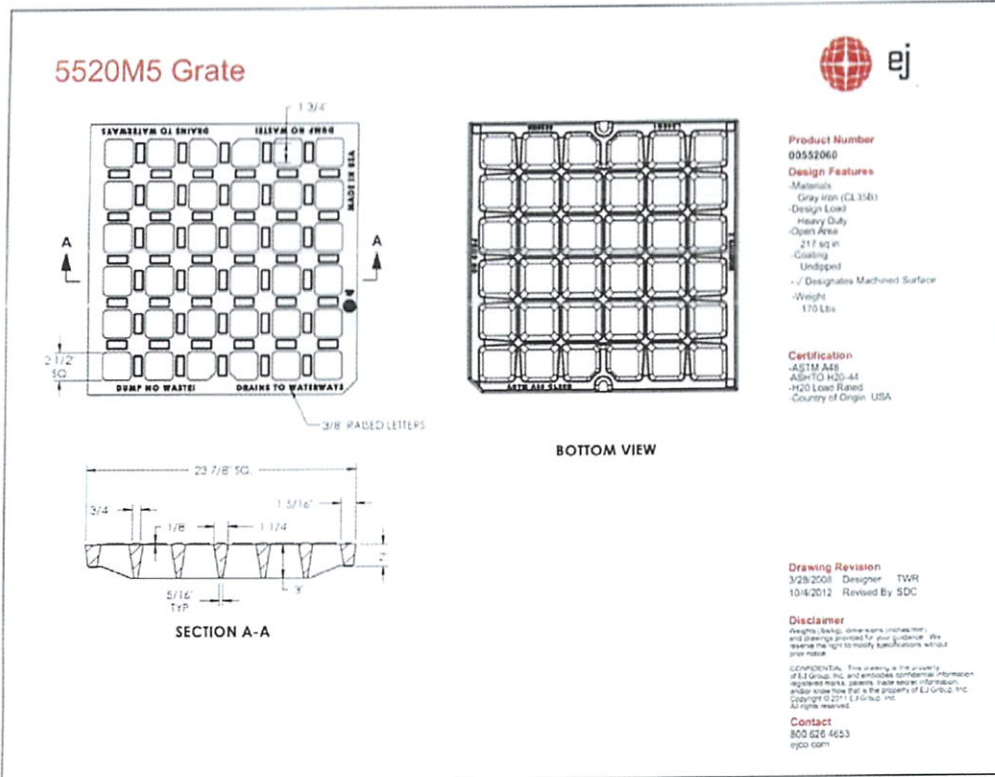
# 24X24X8 FR HD SQ HOLE GRATE 8" 4FLG

0MA552000029



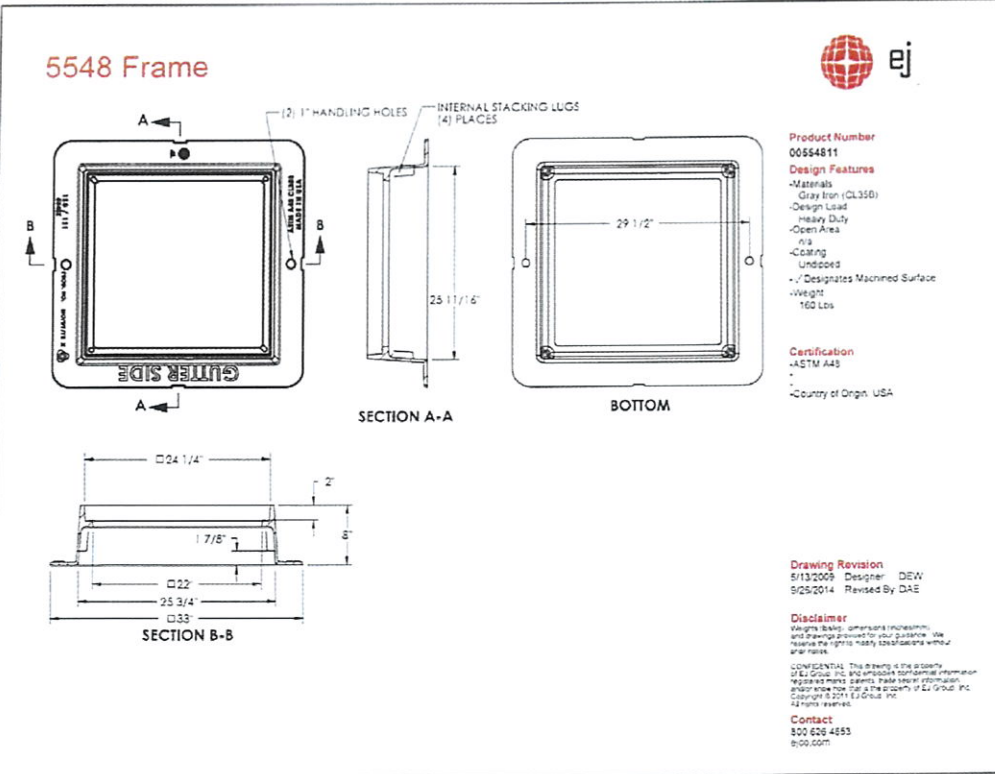
00552060

Quantity: 1



00554811

Quantity: 1



**Disclaimer**

Weight (lbs./kg), dimensions (inches/mm) and drawings provided for your guidance. We reserve the right to modify specifications without prior notices

**CONFIDENTIAL** This drawing is the property of EJ GROUP, Inc., and embodies confidential information, registered marks, patents, trade secret information, and/or know how that is the property of EJ GROUP, Inc. Copyright 1/2 2017 EJ GROUP, Inc. All rights reserved

**Contact**

800 626 4653  
ejco.com

# MassDOT Standard 26 x 8 Frame and Sewer

OMA21100058



## 2110A Cover

**PLAN VIEW**

**BOTTOM VIEW**

**SECTION A-A**

**SECTION B-B**

**NOTE: MASS DOT TEST BAR REQUIRED**

**Product Number**  
00211044

**Design Features**

- Materials  
Gray Iron (CL35B)
- Design Load  
Extra Heavy Duty
- Open Area  
n/a
- Coating  
Unpiped
- √ Designates Machined Surface

**Certification**

- ASTM A48
- ASTM D 1520-44
- Country of Origin: USA

**Drawing Revision**  
03/26/2006 Designer: SBB  
07/06/2016 Revised By: DVO

**Disclaimer**  
Weights (lbs./kg), dimensions (inches/mm) and drawings provided for your guidance. We reserve the right to modify specifications without prior notice.  
CONFIDENTIAL: This drawing is the property of EJ GROUP, Inc. and embodies confidential information, registered marks, patents, trade secret information and/or know how that is the property of EJ GROUP, Inc. Copyright © 2012 EJ GROUP, Inc. All rights reserved.

**Contact**  
800 626 4653  
ejco.com

00211044

Quantity: 1

## 2114Z Frame

**PLAN VIEW**

**SECTION A-A**

**Product Number**  
00211411

**Design Features**

- Materials  
Gray Iron (CL35B)
- Design Load  
HS20 Load Rating
- Open Area  
n/a
- Coating  
Unpiped
- √ Designates Machined Surface

**Estimated Weight**  
-288 LBS

**Certification**

- ASTM A48
- HS20
- Country of Origin: USA

**Weight**  
292 lb.

**Drawing Revision**  
5/24/2009 Designer: DEW  
2/27/2017 Revised By: MAH

**Disclaimer**  
Weights (lbs./kg), dimensions (inches/mm) and drawings provided for your guidance. We reserve the right to modify specifications without prior notice.  
CONFIDENTIAL: This drawing is the property of EJ GROUP, Inc. and embodies confidential information, registered marks, patents, trade secret information and/or know how that is the property of EJ GROUP, Inc. Copyright © 2017 EJ GROUP, Inc. All rights reserved.

**Contact**  
800 626 4653  
ejco.com

00211411

Quantity: 1

### Disclaimer

Weight (lbs./kg), dimensions (inches/mm) and drawings provided for your guidance. We reserve the right to modify specifications without prior notices

CONFIDENTIAL: This drawing is the property of EJ GROUP, Inc. and embodies confidential information, registered marks, patents, trade secret information, and/or know how that is the property of EJ GROUP, Inc. Copyright 1/4 2017 EJ GROUP, Inc. All rights reserved

### Contact

800 626 4653  
ejco.com