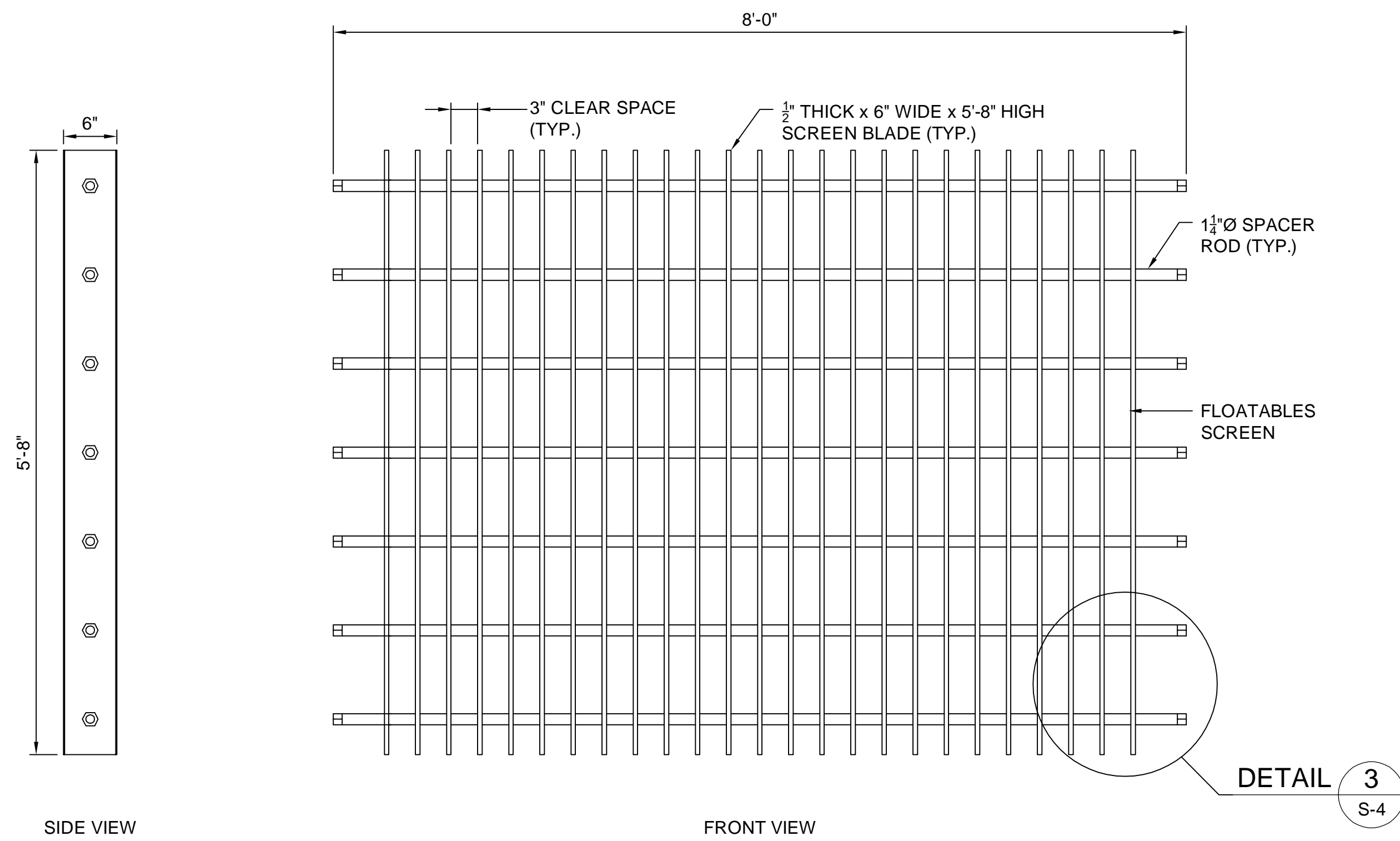


BY: JAIMIE PAYNE

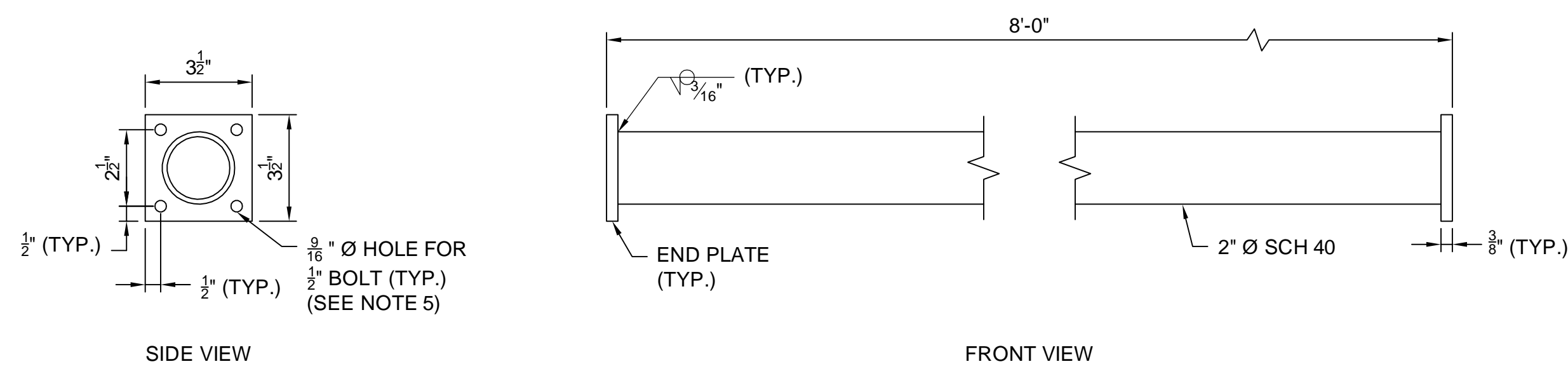
DWG FILE: J:\6412 NBC CSO Consolidation Conduits\Civil\Sheet Series\PAWT_IIA-5_DIVERSION STRUCTURE DETAILS\DWG: Monday, June 21, 2021 2:39:35 PM

GENERAL SHEET NOTES

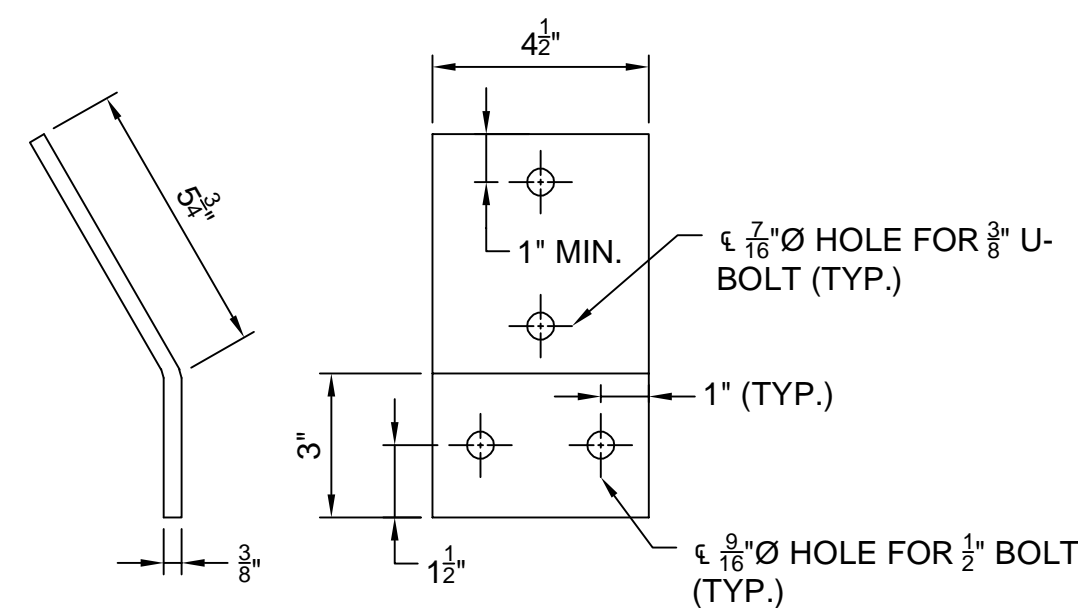
1. VERTICAL DATUM FOR PROJECT IS NGVD29.
2. GENERAL CONFIGURATION PRESENTED, PROVIDE IN ACCORDANCE WITH SPECIFICATION SECTION 06501.
3. RACK BLADES AND SPACERS TO BE EXTRA HIGH MOLECULAR WEIGHT HEXEN COPOLYMER (HXM POLYETHYLENE).
4. HORIZONTAL RODS SHALL BE PULTRUDED FRP.
5. PRECASTER SHALL COORDINATE WITH CONTRACTOR AND PROVIDE INSERTS 1/2" BOLTS (4" MIN. LENGTH).



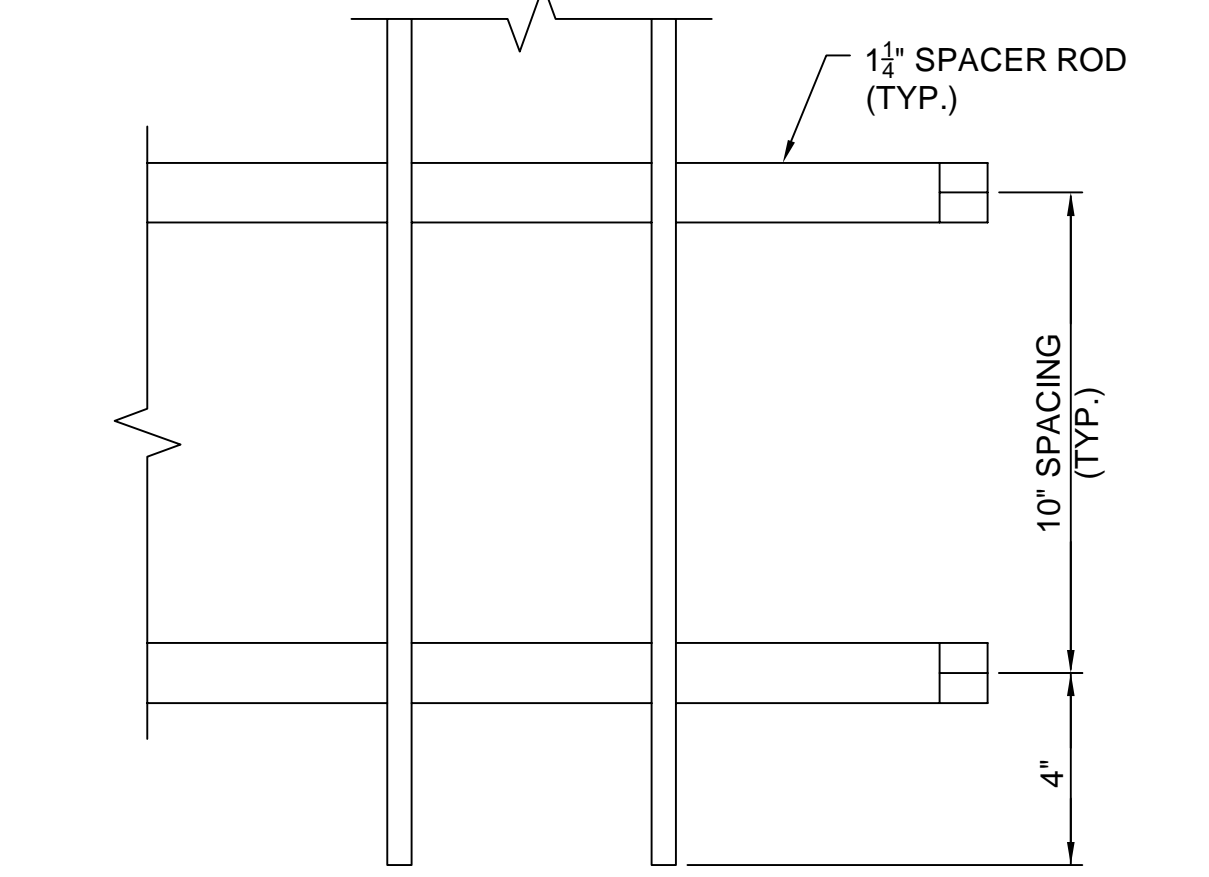
FLOATABLES SCREEN
SCALE: 1" = 1'-0"



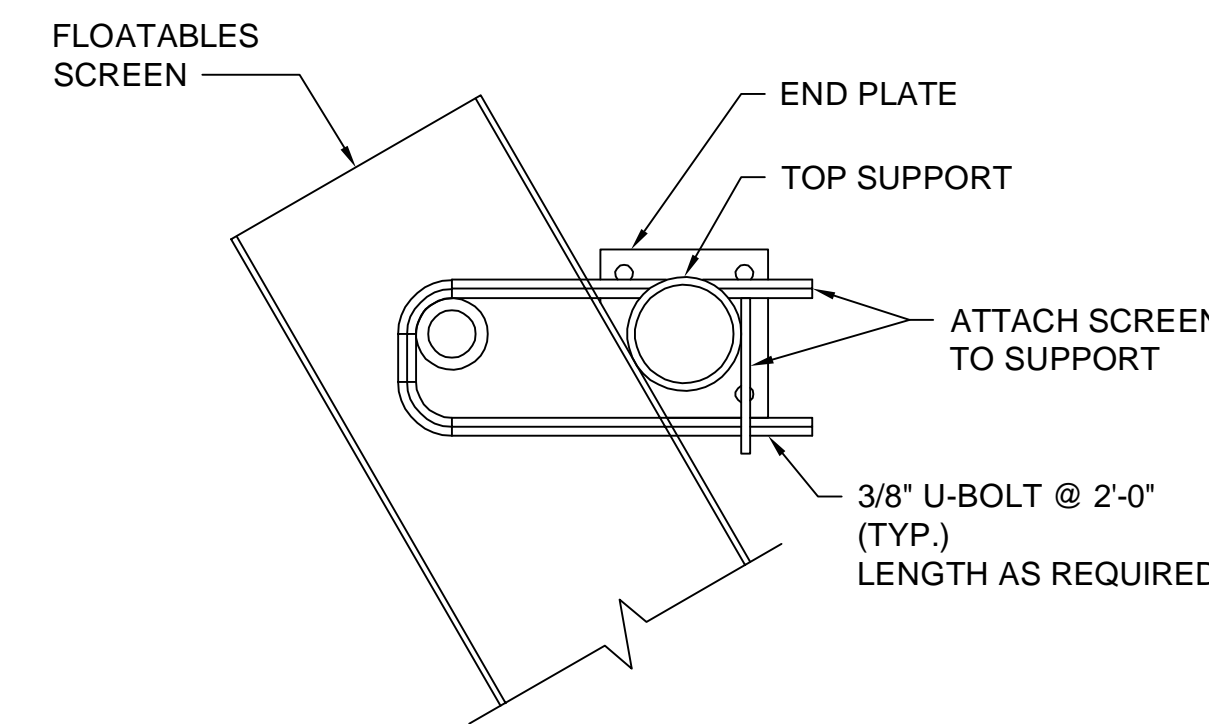
TOP SUPPORT
SCALE: 3" = 1'-0"



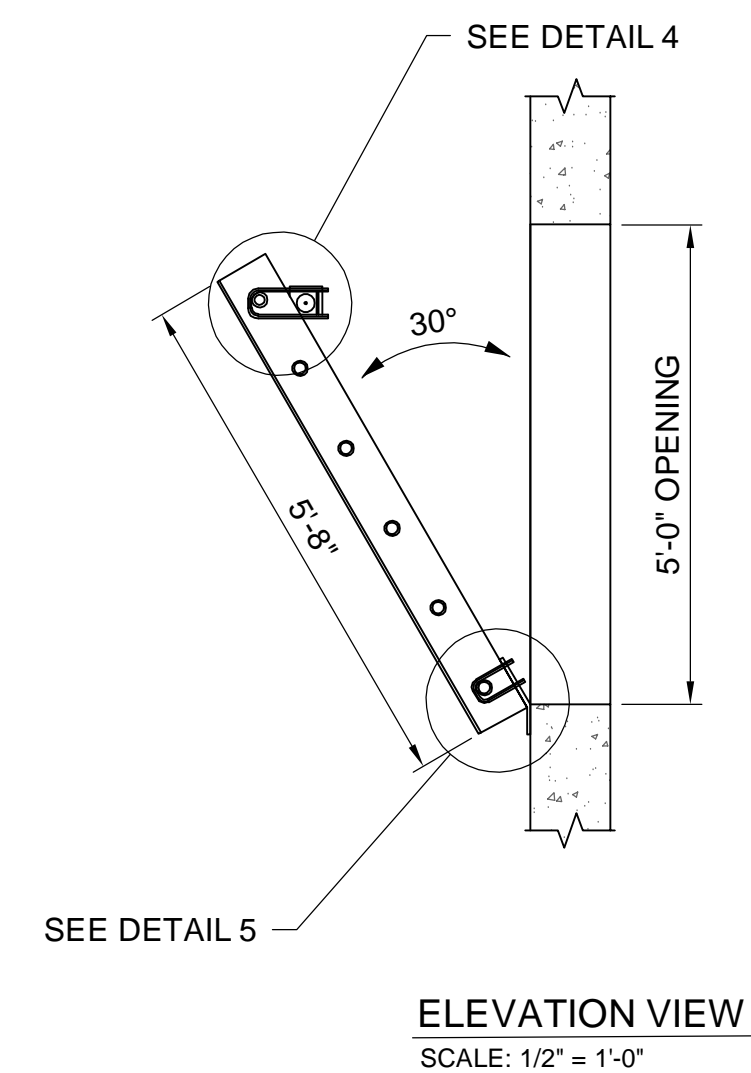
6 DETAIL
S-4 SCALE: 3" = 1'-0"



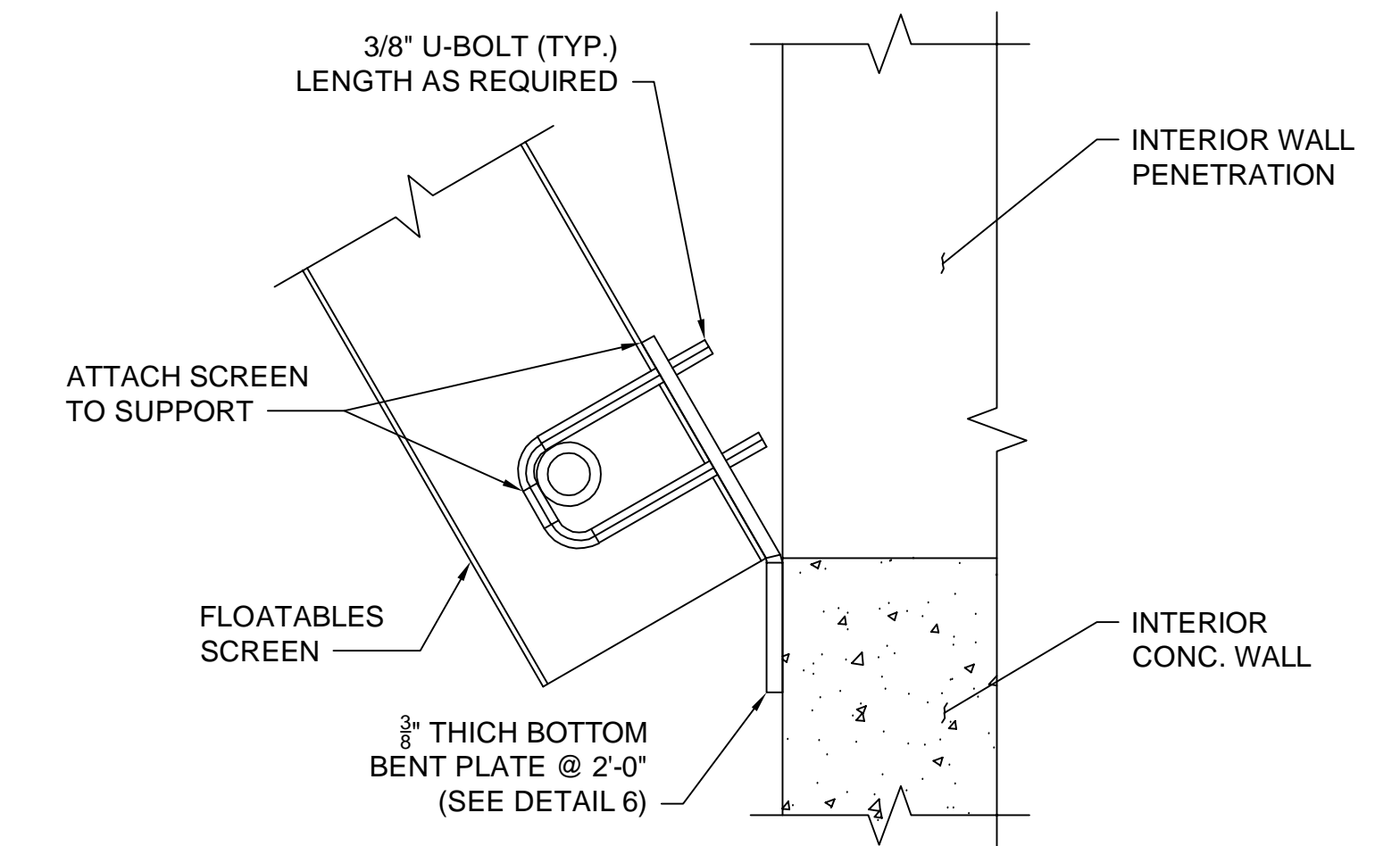
3 DETAIL
S-4 SCALE: 3" = 1'-0"



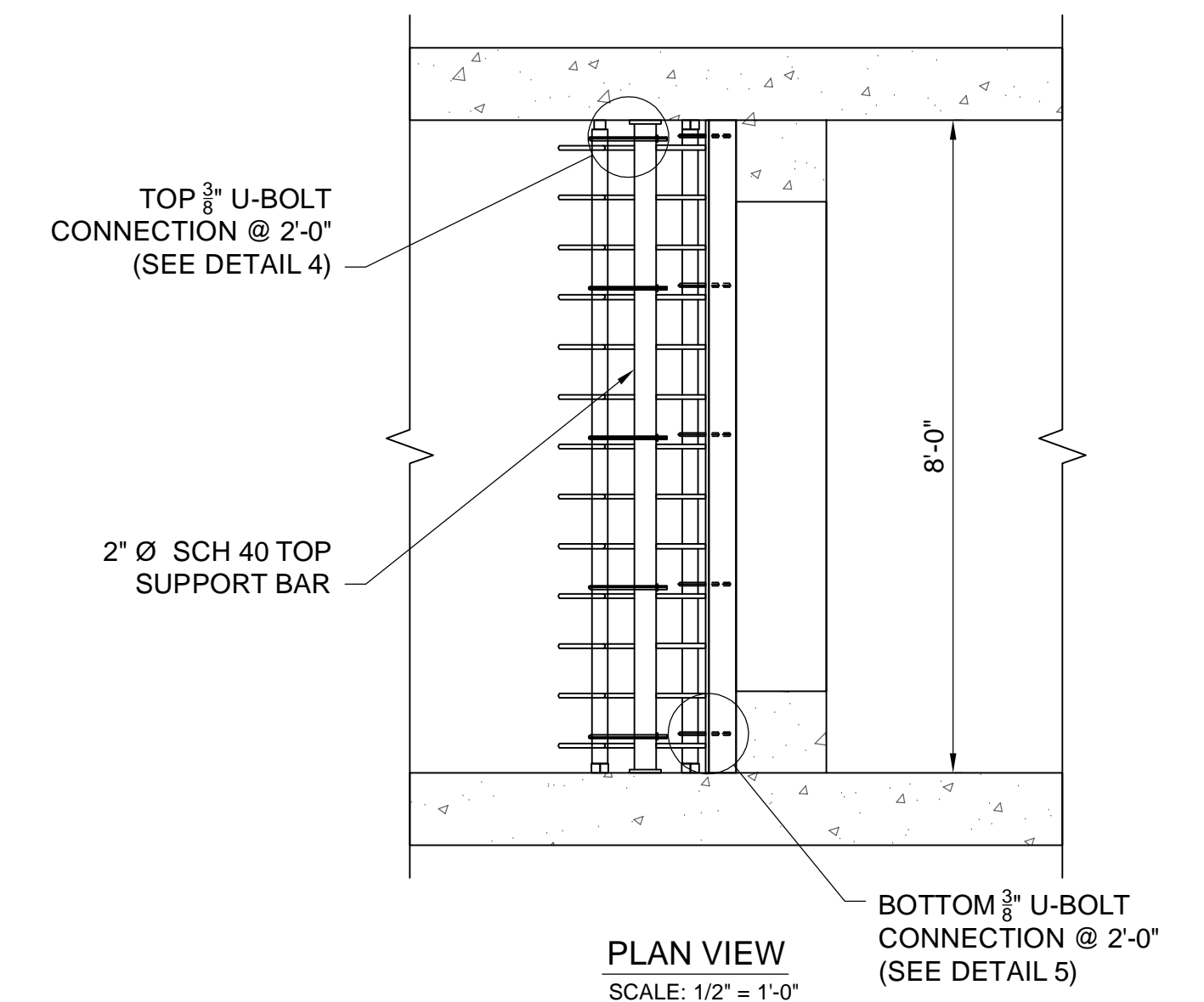
4 DETAIL
S-4 SCALE: 3" = 1'-0"



ELEVATION VIEW
SCALE: 1/2" = 1'-0"



5 DETAIL
S-4 SCALE: 3" = 1'-0"



PLAN VIEW
SCALE: 1/2" = 1'-0"

REV	DATE	BY	DESCRIPTION

SCALE	WARNING
SCALE	IF THIS BAR DOES NOT MEASURE 1" THEN DRAWING IS NOT TO SCALE

DESIGNED <u>L. TSANG</u>
DRAWN <u>B. NELSON</u>
CHECKED <u>T. WARZECKI</u>

FINAL DESIGN PHASE - JULY 2021

NOT FOR CONSTRUCTION

This document is an interim document and not suitable for construction. As an interim document, it may contain data that is potentially inaccurate or incomplete and is not to be relied upon without the express written consent of the preparer.



NARRAGANSETT BAY COMMISSION
PHASE III COMBINED SEWER
OVERFLOW PROGRAM

NBC CONTRACT NO 308.05C
STRUCTURAL
OF-217 CONSOLIDATION CONDUIT
OF-217 DIVERSION STRUCTURE
FLOATABLE SCREEN DETAILS