























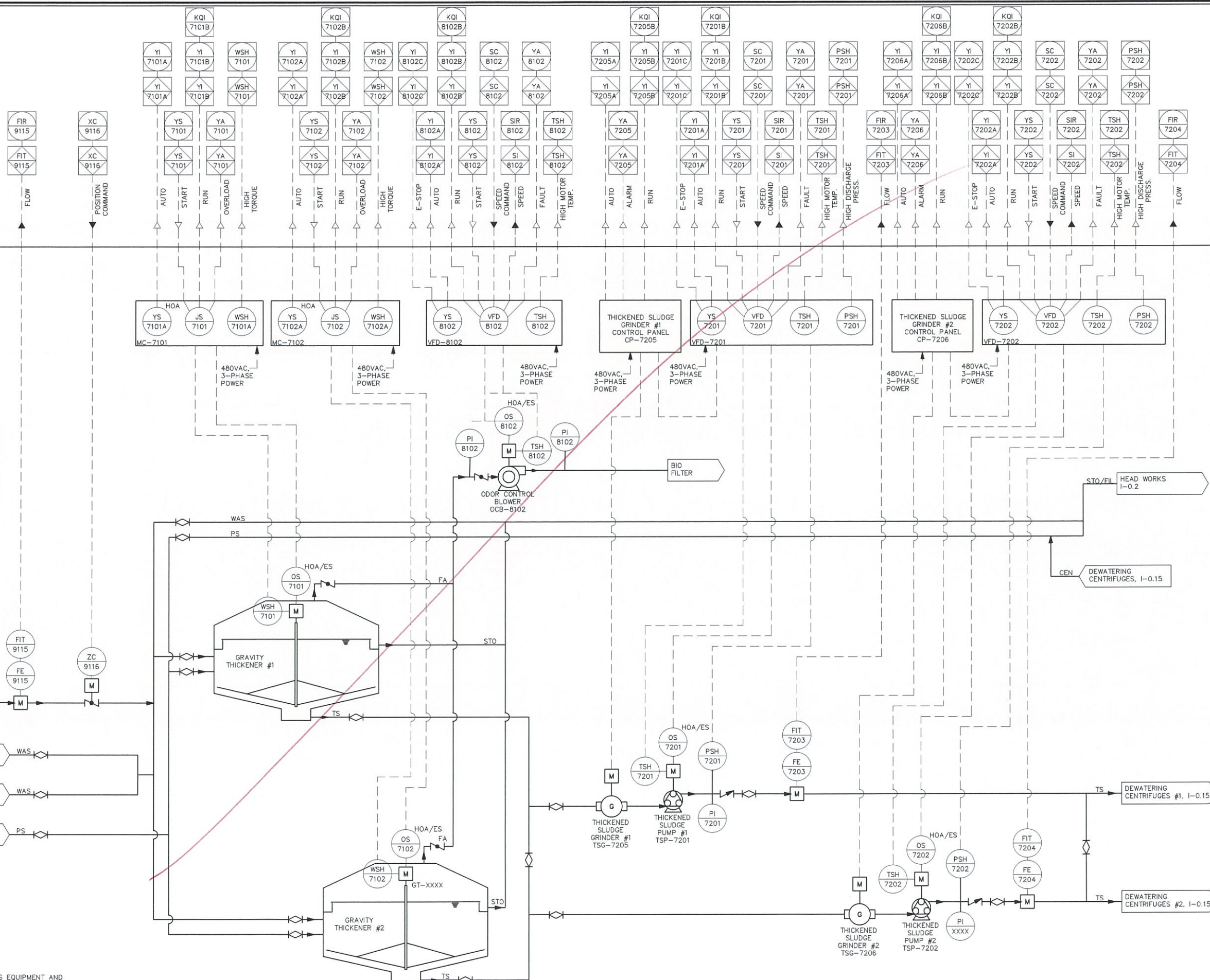






MLC

10/16/2020 10:22:40 11/16/2020 09:18:09 03 - 14/11/2020 WASTE IMPROVEMENTS ELECTRICAL DEPARTMENT\18009\00 I&C DWG (BETA STB BW STB)



NOTES:

- 1. ALL REFERENCE PROCESS EQUIPMENT AND INSTRUMENTATION SHOWN ON THIS DRAWING SHEET HAS BEEN PROVIDED UNDER PREVIOUS CONTRACT.

















