

APPROXIMATE WEIGHTS:

TOTAL WEIGHT OF EMPTY DECANTER	6500kg/14300lbs
ROTATING ASSY INCL. PILLOW BLOCKS	2000kg/4400lbs
CPL.FRAME ASSY EXCL. MAIN MOTOR AND ROT.ASSY:2500kg/5500lbs	
MAIN MOTOR	900kg/1980lbs
UPPER CASING	250kg/ 550lbs
GEAR BOX	300kg/ 660lbs
MIN.CRANE CAPACITY FOR LIFTING OF ROTTING ASSY:.....	2800kg/6160lbs

LOADING DATA:

DECANTER

1. MAX. STATIC LOAD

A- VERTICAL	75000 N
B- HORIZONTAL.....	0 N

2. MAX. DYNAMIC LOAD AT RUN DOWN (ADD TO STATIC LOAD)

A- VERTICAL	±50000 N
B- HORIZONTAL.....	±12500 N

3. MAX. DYNAMIC LOAD AT OPERATING SPEED

A- VERTICAL	2000 N
B- HORIZONTAL.....	2000 N

ALL LOADS ARE EVENLY DISTRIBUTED ON THE VIBRATION ISOLATORS

CONNECTIONS:

DIMENSION / TYPE

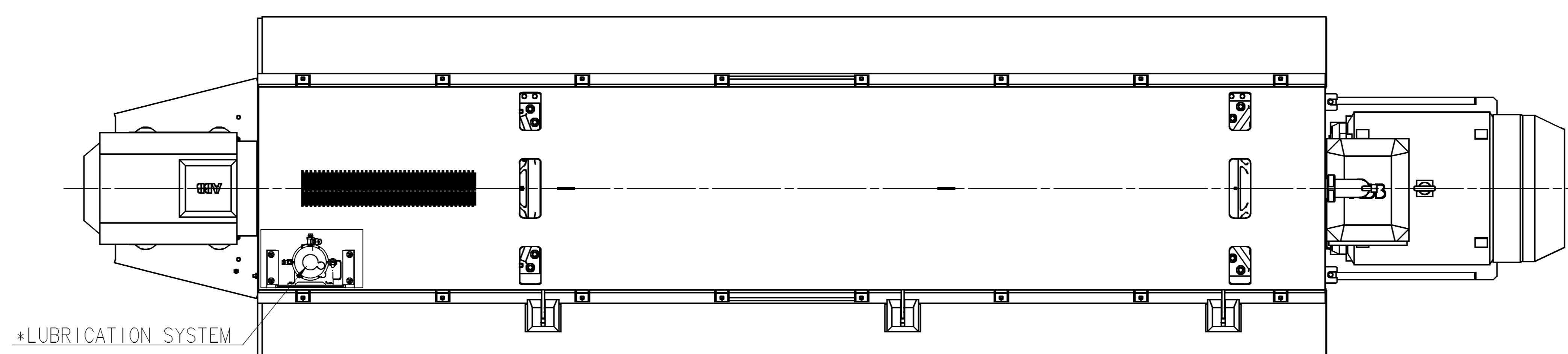
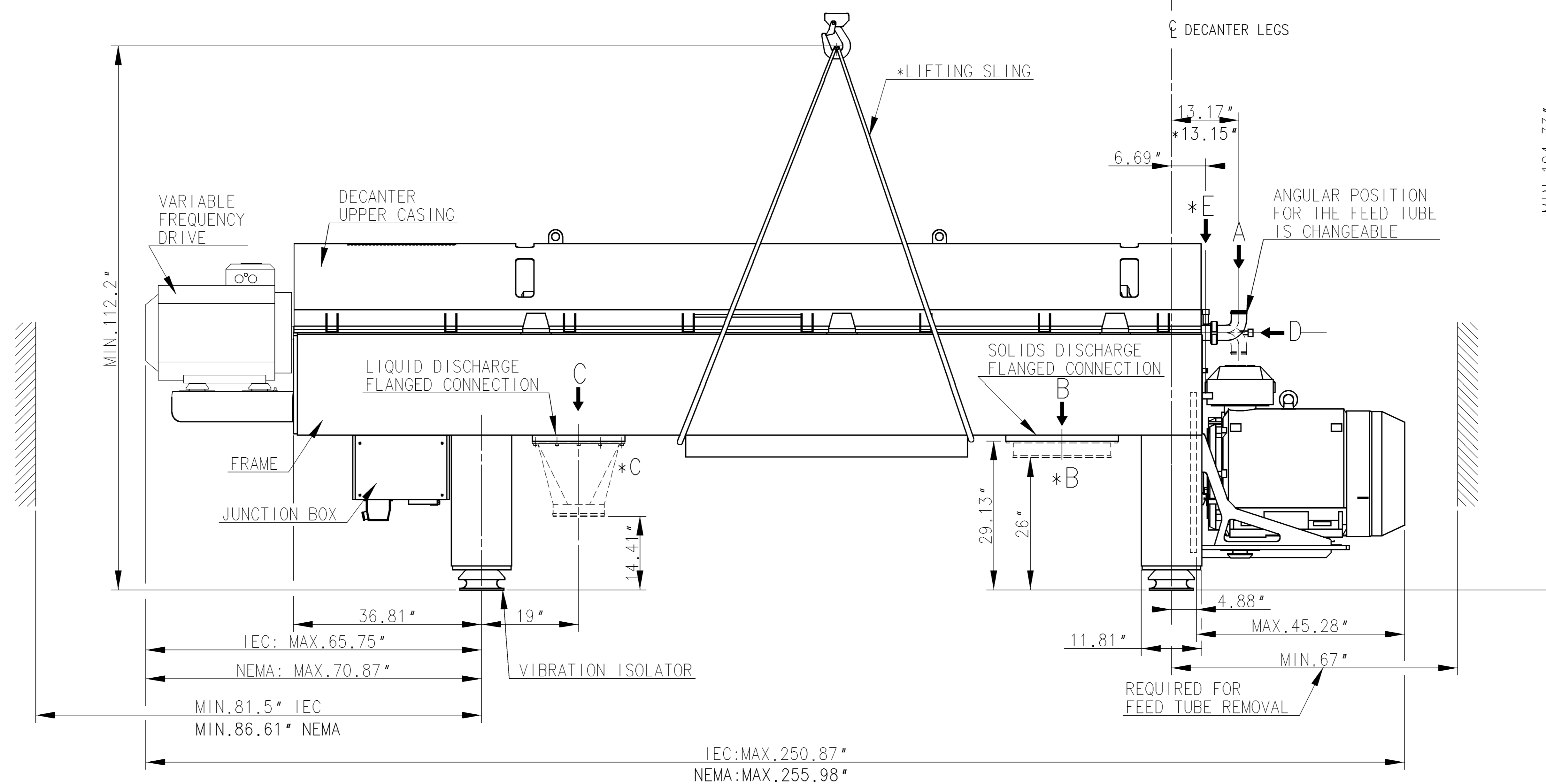
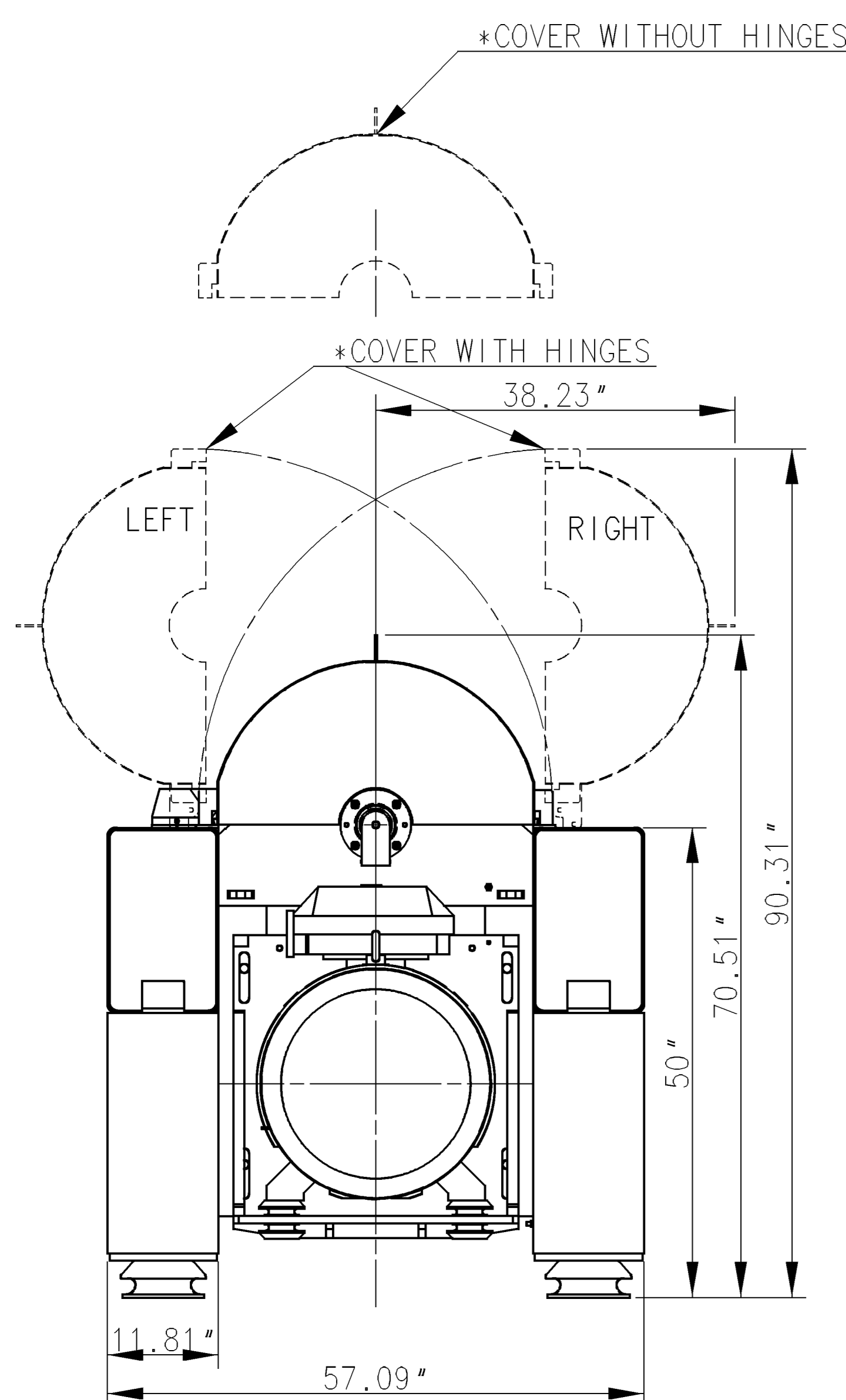
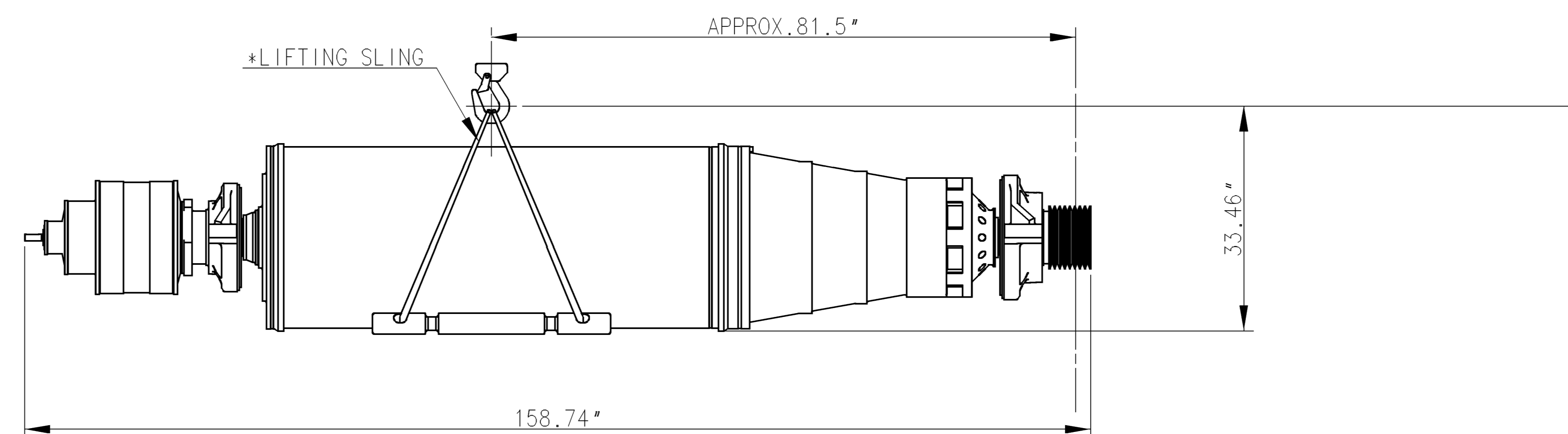
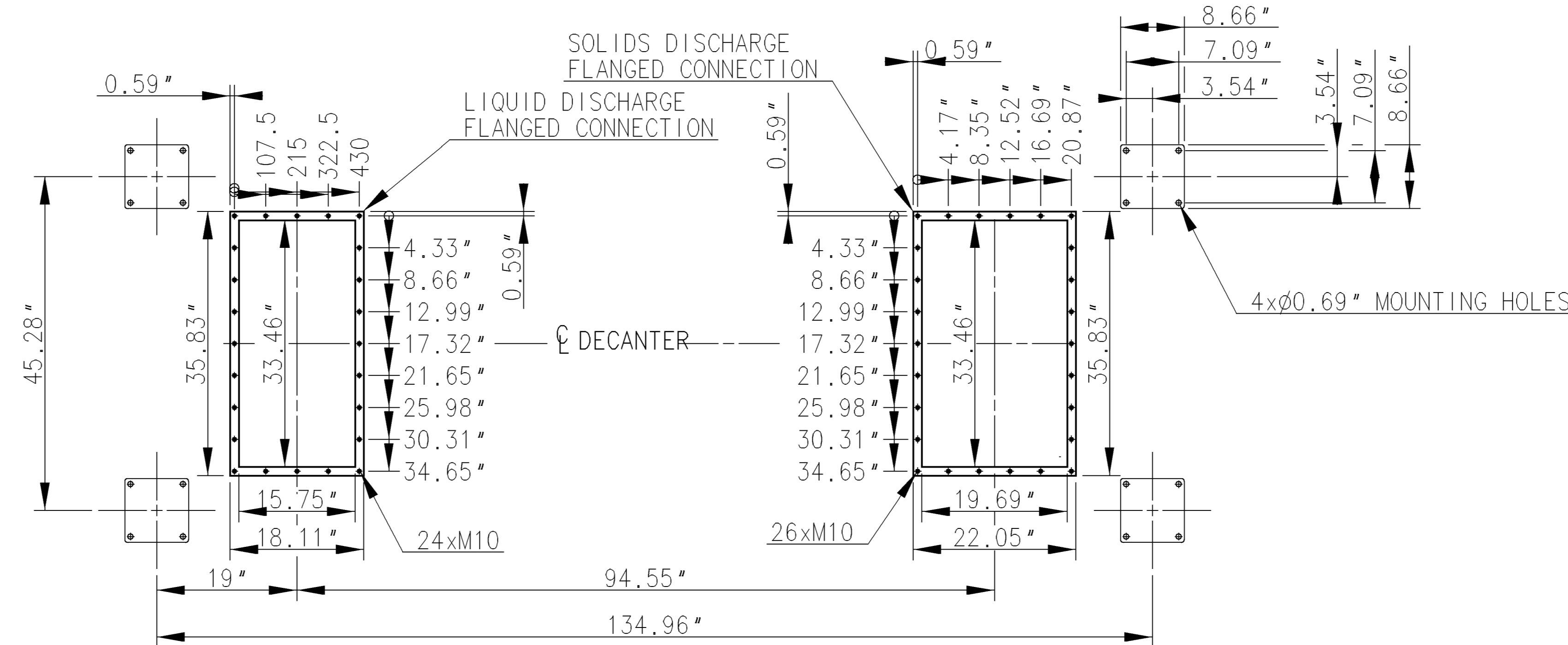
A FEED	3" HOSE CONNECTION
B SOLIDS OUTLET	RECTANGULAR FLANGE
*B SOLIDS OUTLET FUNNEL.....	33.46" x 19.69"
C LIQUID OUTLET	RECTANGULAR FLANGE
*C HEAVY PHASE OUTLET	10" HOSE CONNECTION
D POLYMER ADDITION	ISO 228-G 3/4 B CONNECTION
*E POLYMER ADDITION	ISO 228-G 3/4 B CONNECTION

NOTES:

- 1- ALL CONNECTIONS MUST BE FLEXIBLE.
- 2- FOR PROPER VENTING OF DISCHARGE HOPPERS REFER TO THE INSTALLATION DRAWING. IMPROPER VENTING CAN LEAD TO LEAKAGE PROBLEMS.
- 3- CUSTOMER IS RESPONSIBLE FOR ANCHORING.
- 4- FOR FURTHER INFORMATION, SEE INSTALLATION DATA MANUAL AND INSTALLATION DRAWING

* OPTIONAL EQUIPMENT

COMPLEMENTARY DRAWING 61242957



MAIN VIEW:
 DIMN. IEC: MAX. 250.87" / NEMA:
 MAX. 255.98" REPLACES MAX. 254"
 DIMN. MAX. 45.28" REPLACES
 MAX. 43.31"

Rev. No.	Date	Modified By	Appr.
2	160219	DWE	OAN

Item	Article No.	Name/Designation	Material
DD		GEAR BOX	
DIMENSIONED DRAWING			Alfa Laval
ALDEC G2 - 115			Alfa Laval Copenhagen A/S SØBORG DENMARK
First angle projection	Surface roughness	Scale	Design Code
20	R _A 4µm	1:12	
Format	Drawn	Date	Document No.
A0	JLG	090115	61242958
Appr.	Model		
OAN	N		