

2/9/2022

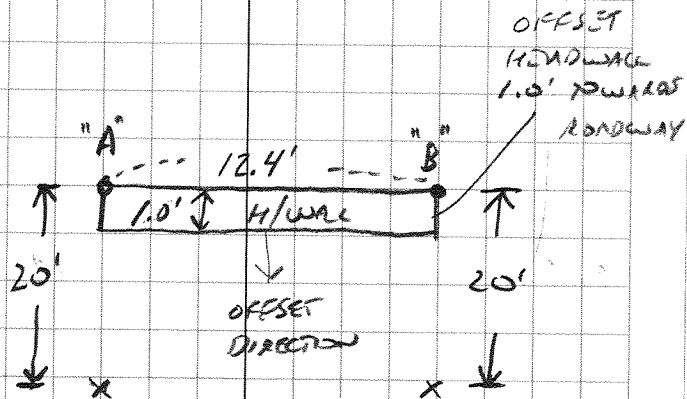
BAY STREET
HULL, MA400
SUNNYGPS OBSERVATIONS - DRAIN/WALL

PT#	START TIME	END TIME	CO	# OF SAT'S
5302	1:00	1:02	0.02	14 (START)
GPS-2			0.014	14 (END)
T. MASON				
5301	1:05	1:07	0.03	14 (START)
GPS-1			0.017	14 (END)
T. MASON				
5325	1:20	1:22	0.34	15 (START)
H/wall "A"			0.029	15 (END)
5326	1:29	1:30	0.20	15 (START)
H/wall "B"			0.03	15 (END)
5327	1:43	1:44	0.04	14 (START)
SMH			0.027	
(ISLAND VIEW DRIVE)				

JW, PD

BK 66

PG 64



20' OFF FREQ 12" WIDE HEADWALL (CONC)

2/9/2022

BAY STREET
HULL, MA400
SOUTHLEVEL RUN - TOP OF HW WALL
ELEV

BS	H.I.	F.S.	CUV	DESC/REMARKS
5.15	20.05		14.90	TOP TRV-1
		3.58	16.47	BM-SPK IN
11.50	19.89	11.66	8.39	TOP CONC.
		4.99	14.90	P.O.B. TOP (0.00)

INVERT OPENING = 5.14

$$\begin{array}{r} (1.0 + 2.25) = \\ - 8.39 \text{ TOP HW WALL} \\ \hline 3.25 \text{ MEASURES DOWN TO INV} \\ \hline 5.14 \text{ INVERT OPENING} \\ \text{② HEADWALL} \end{array}$$

DW, P2

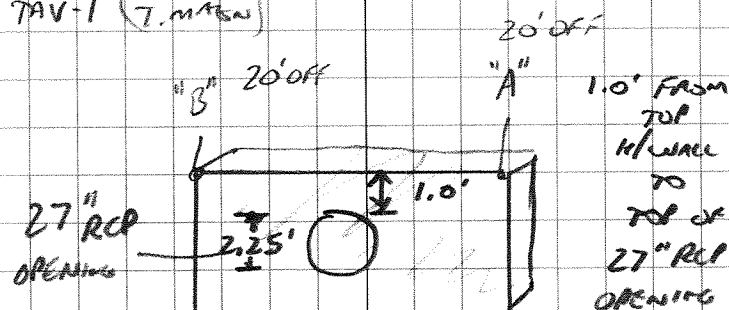
BK 66 PG 65

T. MARK

CPL 32/33 OFFICE TRV-1 (16.49) ✓

HEADWALL 1.0' x 12.4'

TRV-1 (T. MARK)



"A" + "B" LOCATIONS OF
HEADWALL CENTER BY GPS

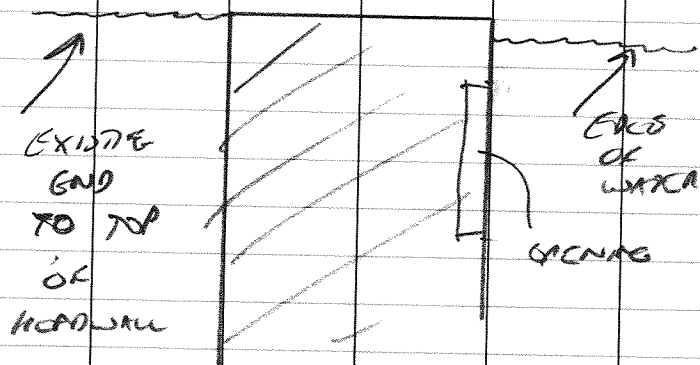
OFFSET 1.0' TOWARDS TRV 1

2/9/2022

BAY STREET
HULL, MA

450
CLONE
JMM

SIDE VIEW OF HEADWALL



NOTE: OPEN SIDE OF HEADWALL
WAS SUBMERGED UNDER
WATER TO 2-3" FROM TOP
OF WALL. COULD NOT
ACTUALLY
SEE OPENING - FOUND
SHORT DEPTH OF OPENING
BY PROBING

JW

JW, PD

BK 66

DG 66

→ TO JAROS
BAY