

**SERVICE CONNECTIONS**

HOUSE # 3  
 STREET: CENTER STREET  
 (Service to South St)

**NEW SERVICE**

PIPE QUANTITY: 23.8' DATE INSTALLED: 6/00

CONNECTION TO MAIN  
 TEE TEE-WYE WYE SADDLE CHIMNEY

SIZE MAIN: 8" TYPE: PVC

BENDS:

90°	45°	22½°	11½°
	1	2	

SERVICE SIZE: 6" TYPE: PVC

TYPE CONNECTION: RENCO DEPTH CONNECTION: 1.7'

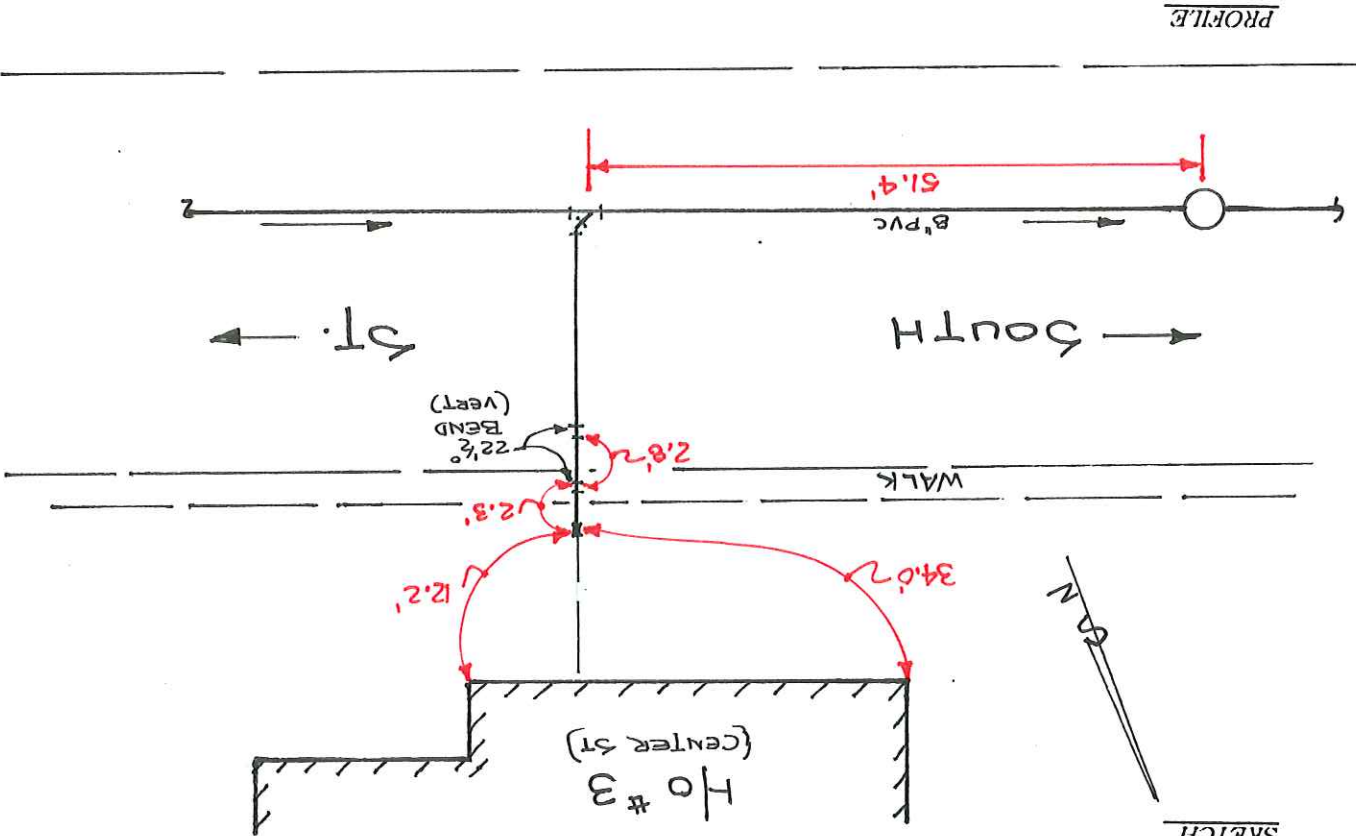
EXISTING SERVICE TYPE: CLAY SIZE: 6"

PROJECT: East Side Infrastructure Improvements  
 South Hadley, MA

CONTRACTOR: Jack Goncalves & Sons, Inc.  
 172 Munising Street  
 Ludlow, MA

NOTE: SERVICE FROM REAR OF  
 House to South St.

*SKETCH*



*PROFILE*

**SERVICE CONNECTIONS**

HOUSE # 5  
 STREET: CENTER STREET  
 (SERVICE TO SOUTH ST)

**NEW SERVICE**  
 PIPE QUANTITY: 21.5' DATE INSTALLED: 8/00

CONNECTION TO MAIN

TEE	TEE-WYE	WYE	SADDLE	CHIMNEY
-----	---------	-----	--------	---------

SIZE MAIN: \_\_\_\_\_ TYPE: \_\_\_\_\_  
 BENDS: 90° 45° 22½° 11¼°

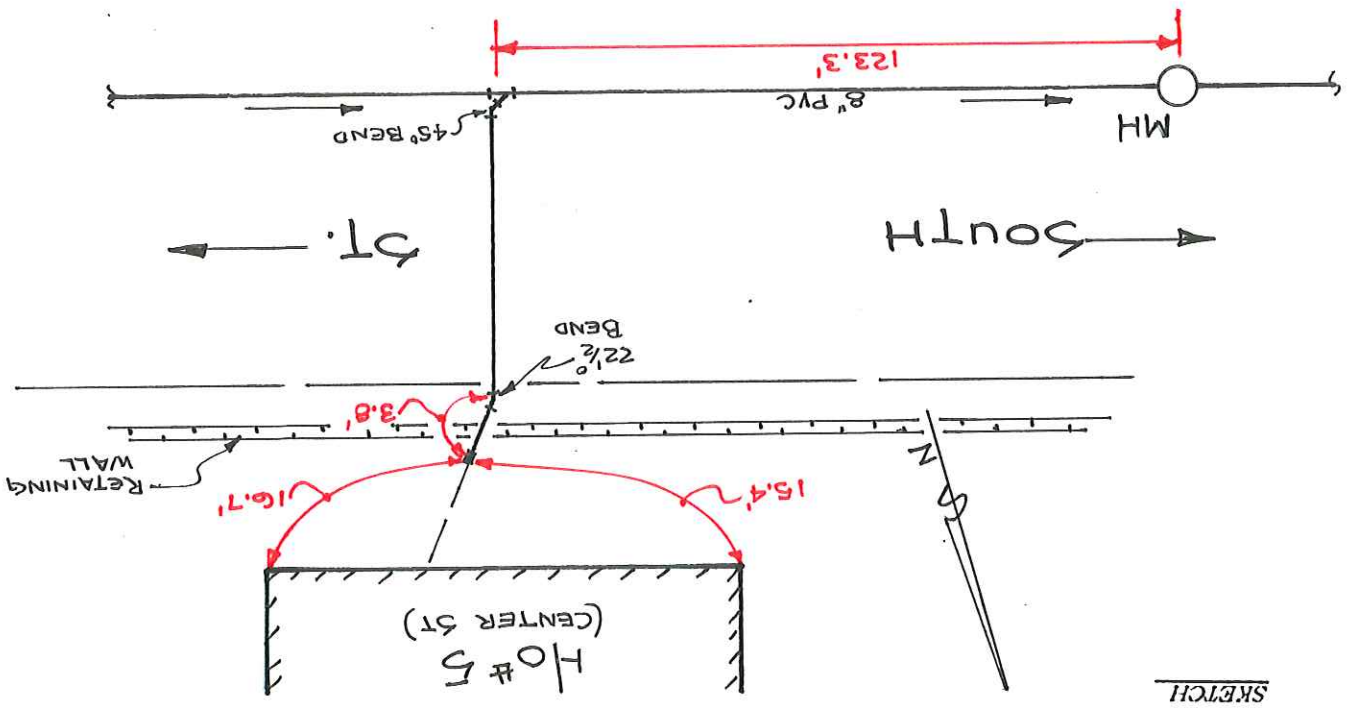
1	1	1	1
---	---	---	---

SERVICE SIZE: 6" TYPE: PVC  
 TYPE CONNECTION: FERRULE DEPTH @ CONNECTION: 3.5'  
 EXISTING SERVICE TYPE: CLAY SIZE: 6"

PROJECT: East Side Infrastructure Improvements  
 South Hadley, MA

CONTRACTOR: Jack Goncalves & Sons, Inc.  
 172 Munsting Street  
 Ludlow, MA

NOTE: SERVICE FROM REAR OF  
HOUSE TO SOUTH ST.



PROFILE

SKETCH

**SERVICE CONNECTIONS**

HOUSE # 6  
**CENTER STREET**  
 STREET: (Service to Warner St)

**NEW SERVICE**

PIPE QUANTITY: 25.4' DATE INSTALLED: 6/00

CONNECTION TO MAIN	TEE	TEE-WYE	WYE	<b>SADDLE</b>	CHIMNEY
--------------------	-----	---------	-----	---------------	---------

SIZE MAIN: 8" TYPE: PVC

BENDS:	90°	45°	22½°	11½°
	3	1		

SERVICE SIZE: 6" TYPE: PVC

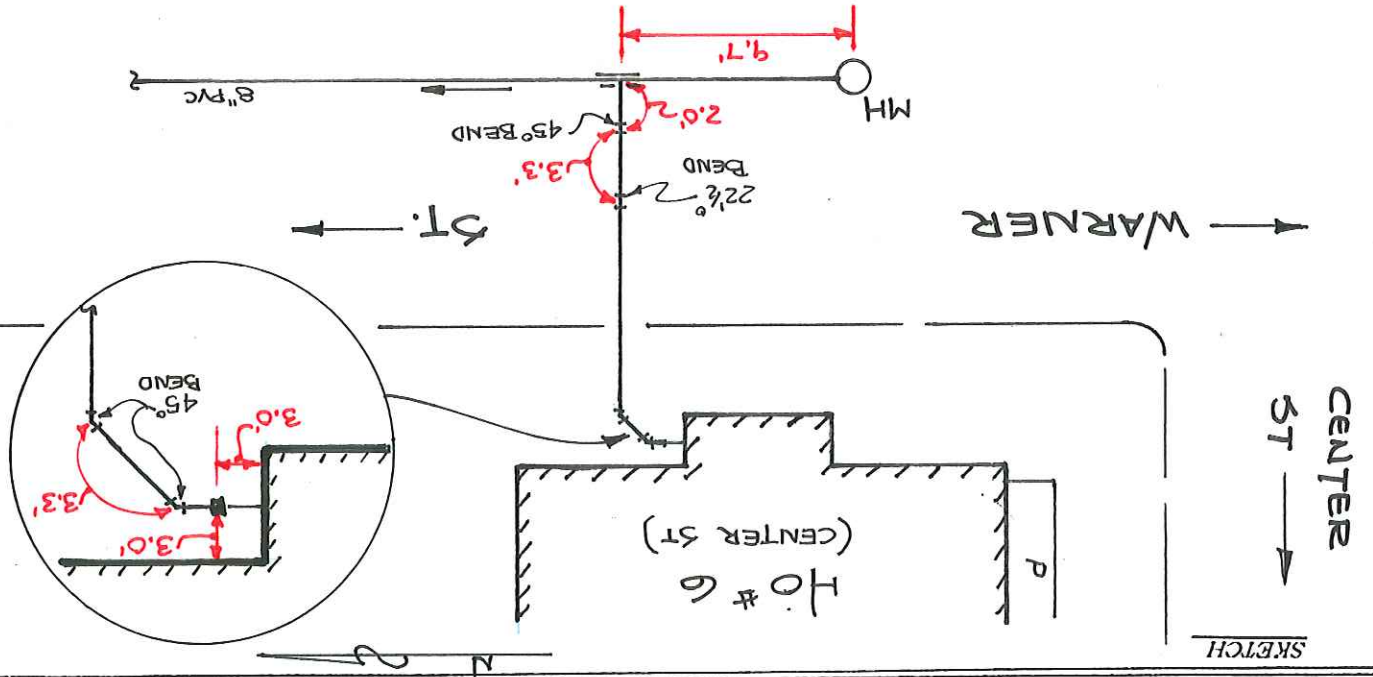
TYPE CONNECTION: FERNCO DEPTH OF CONNECTION: 3.8'

EXISTING SERVICE TYPE: CLAY SIZE: 6"

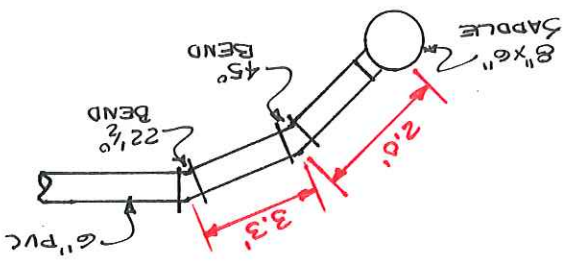
PROJECT: East Side Infrastructure Improvements  
 South Hadley, MA

CONTRACTOR: Jack Gonçalves & Sons, Inc.  
 172 Munsting Street  
 Ludlow, MA

NOTE:



SKETCH



PROFILE