

# SERVICE CONNECTIONS

PROJECT: East Side Infrastructure Improvements  
 South Hadley, MA

CONTRACTOR: Jack Gonçalves & Sons, Inc.  
 172 Munising Street  
 Ludlow, MA

NOTE:

STREET: GRAVES STREET

HOUSE # 1

## NEW SERVICE

PIPE QUANTITY: 23.5 DATE INSTALLED: 8/00

CONNECTION TO MAIN

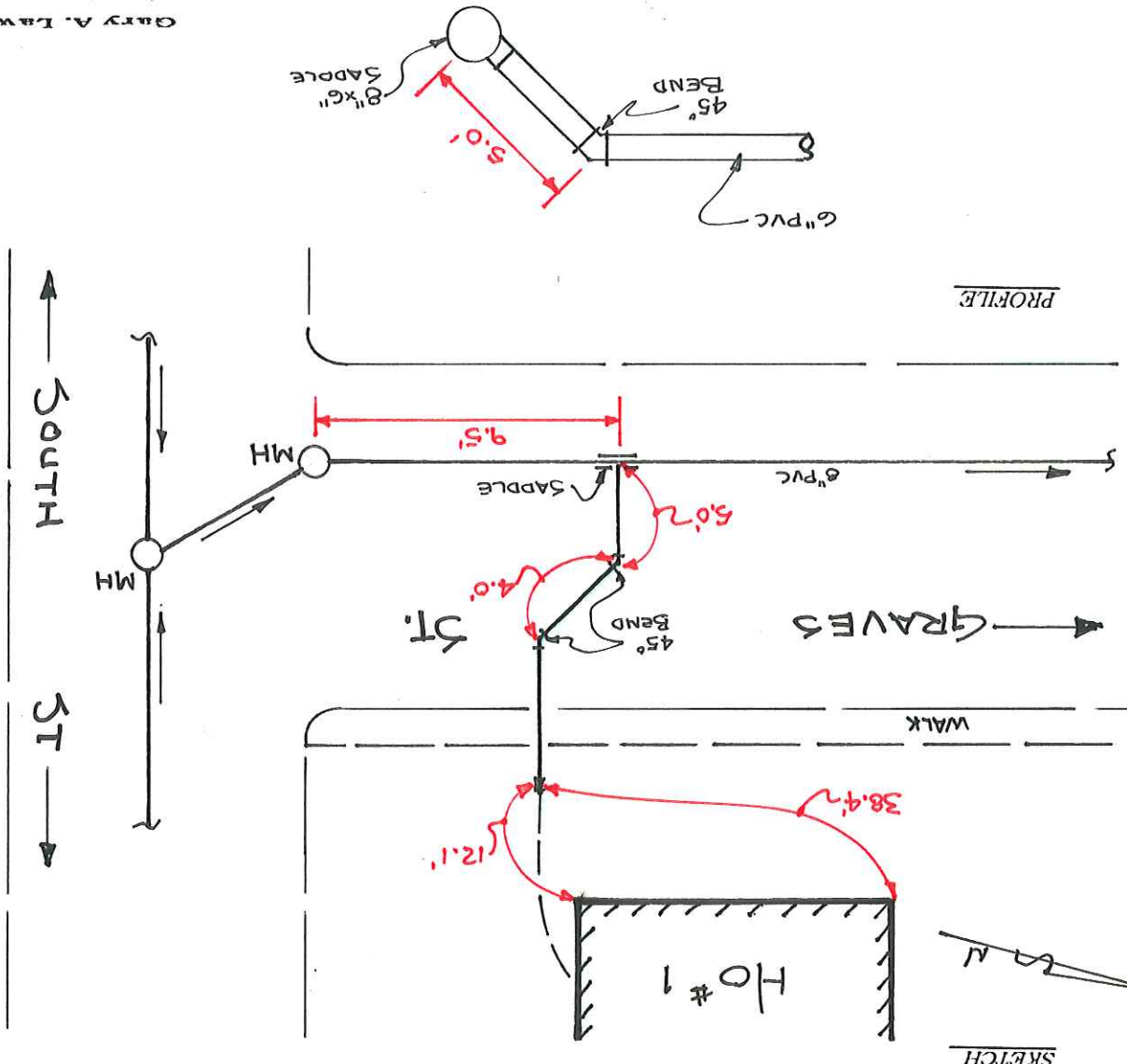
TEE	TEE-WYE	WYE	SADDLE	CHIMNEY
-----	---------	-----	--------	---------

SIZE MAIN: 8" TYPE: PVC

BENDS:	90°	45°	22 1/2°	11 1/4°
	2			

SERVICE SIZE: 6" TYPE: PVC

EXISTING SERVICE TYPE: CLAY SIZE: 6" TYPE CONNECTION: FENCO DEPTH @ CONNECTION: 5.3'



GARY A. LAWRENCE  
 52 WEBBER ROAD  
 WHATLEY, MA 01093

**SERVICE CONNECTIONS**

PROJECT: East Side Infrastructure Improvements  
South Hadley, MA

CONTRACTOR: Jack Goncalves & Sons, Inc.  
172 Munsting Street  
Ludlow, MA

NOTE:

**NEW SERVICE**

PIPE QUANTITY: 19.3' DATE INSTALLED: 8/00

CONNECTION TO MAIN	TEE	TEE-WYE	WYE	SADDLE	CHIMNEY
--------------------	-----	---------	-----	--------	---------

SIZE MAIN: 8" TYPE: PVC

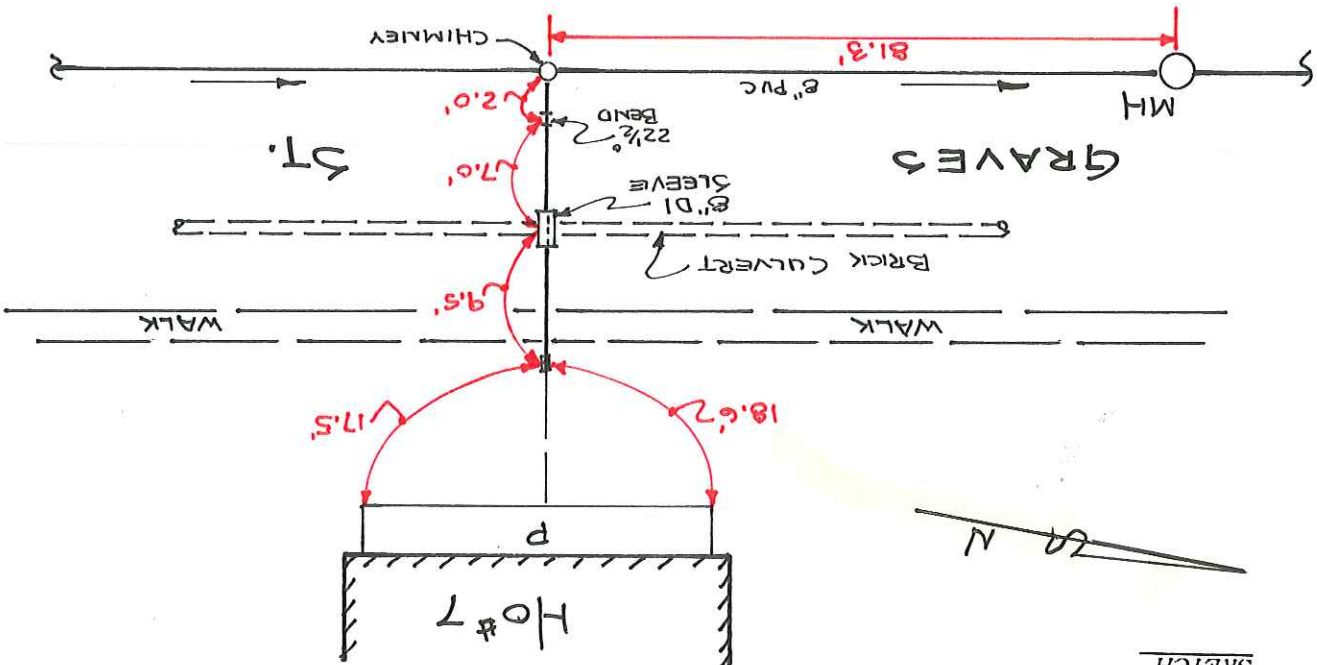
BENDS:	90°	45°	22½°	11½°
			1	

SERVICE SIZE: 6" TYPE: PVC

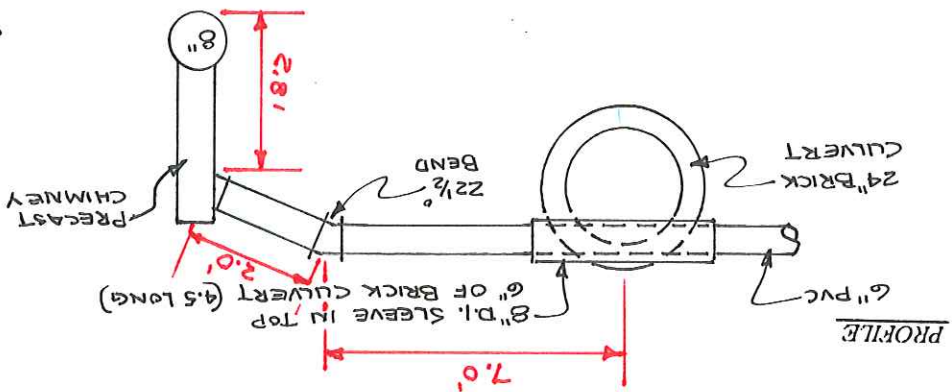
TYPE CONNECTION: FEMALE DEPTH @ CONNECTION: 4.7'

EXISTING SERVICE TYPE: CLAY SIZE: 6"

SKETCH



PROFILE



**SERVICE CONNECTIONS**

PROJECT: East Side Infrastructure Improvements  
South Hadley, MA

CONTRACTOR: Jack Goncalves & Sons, Inc.  
172 Munsting Street  
Ludlow, MA

NOTE:

\_\_\_\_\_  
\_\_\_\_\_  
\_\_\_\_\_  
\_\_\_\_\_

**NEW SERVICE**

PIPE QUANTITY: 18.0' DATE INSTALLED: 8/00

CONNECTION TO MAIN

TEE	TEE-WYE	WYE	SADDLE	CHIMNEY
-----	---------	-----	--------	---------

SIZE MAIN: 8"

TYPE: PVC

BENDS:

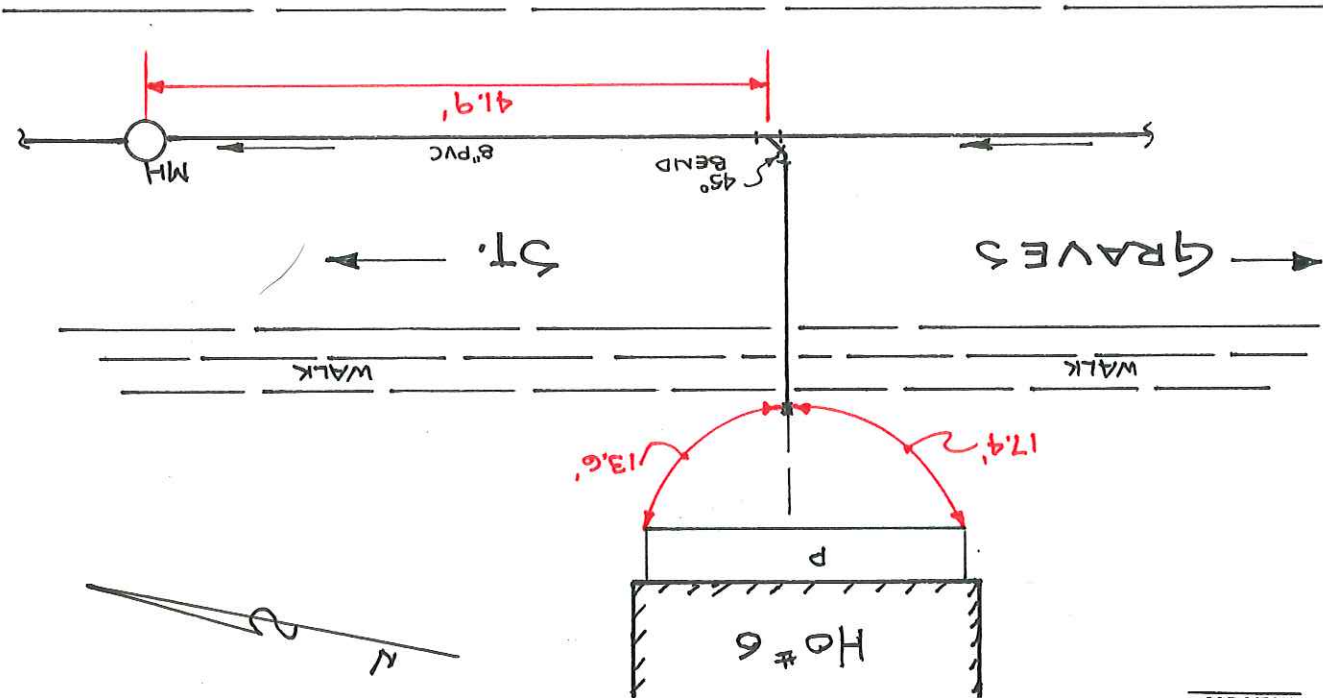
90°	45°	22½°	11¼°
-----	-----	------	------

SERVICE SIZE: 6"

TYPE: PVC

TYPE CONNECTION: TRENCH DEPTH @ CONNECTION: 5.6'  
EXISTING SERVICE TYPE: CLAY SIZE: 6"

SKETCH



PROFILE

**SERVICE CONNECTIONS**

PROJECT: East Side Infrastructure Improvements  
 South Hadley, MA

HOUSE #: 8  
**GRAVES STREET**  
 STREET:

**NEW SERVICE**

PIPE QUANTITY: 18.4' DATE INSTALLED: 8/00

CONNECTION TO MAIN

TEE	TEE-WYE	WYE	SADDLE	CHIMNEY
-----	---------	-----	--------	---------

SIZE MAIN: 8" TYPE: PVC

BENDS:	90°	45°	22½°	11½°
	1	1	1	1

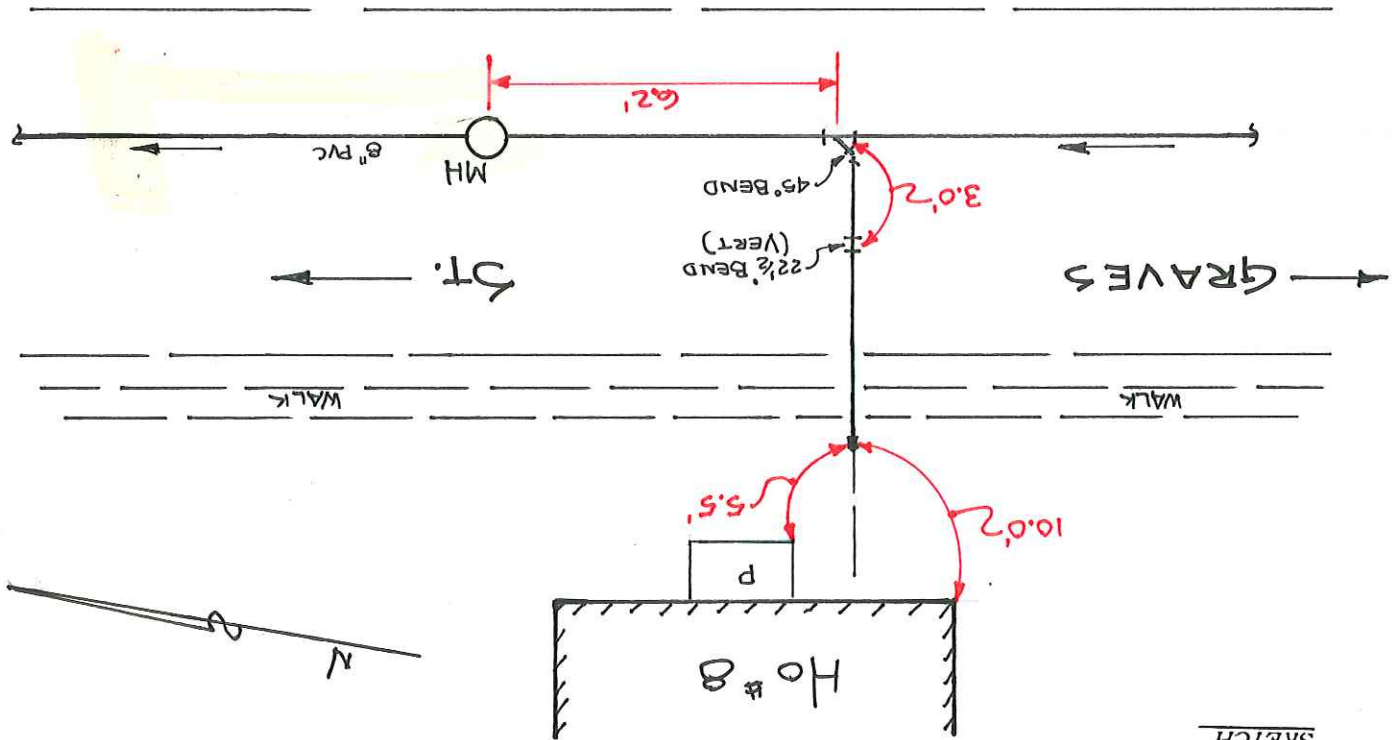
SERVICE SIZE: 6" TYPE: PVC

EXISTING SERVICE TYPE: CLAY TYPE CONNECTION: FENCO DEPTH @ CONNECTION: 5.2'

NOTE:

CONTRACTOR: Jack Goncalves & Sons, Inc.  
 172 Munising Street  
 Ludlow, MA

SKETCH



PROFILE

# SERVICE CONNECTIONS

PROJECT: East Side Infrastructure Improvements  
 South Hadley, MA

CONTRACTOR: Jack Goncalves & Sons, Inc.  
 172 Munising Street  
 Ludlow, MA

NOTE:

\_\_\_\_\_  
 \_\_\_\_\_  
 \_\_\_\_\_  
 \_\_\_\_\_

## NEW SERVICE

PIPE QUANTITY: 20.2' DATE INSTALLED: 8/00

CONNECTION TO MAIN	TEE	TEE-WYE	WYE	SADDLE	CHIMNEY
--------------------	-----	---------	-----	--------	---------

SIZE MAIN: 8" TYPE: PVC

BENDS:	90°	45°	22½°	11¼°
			1	

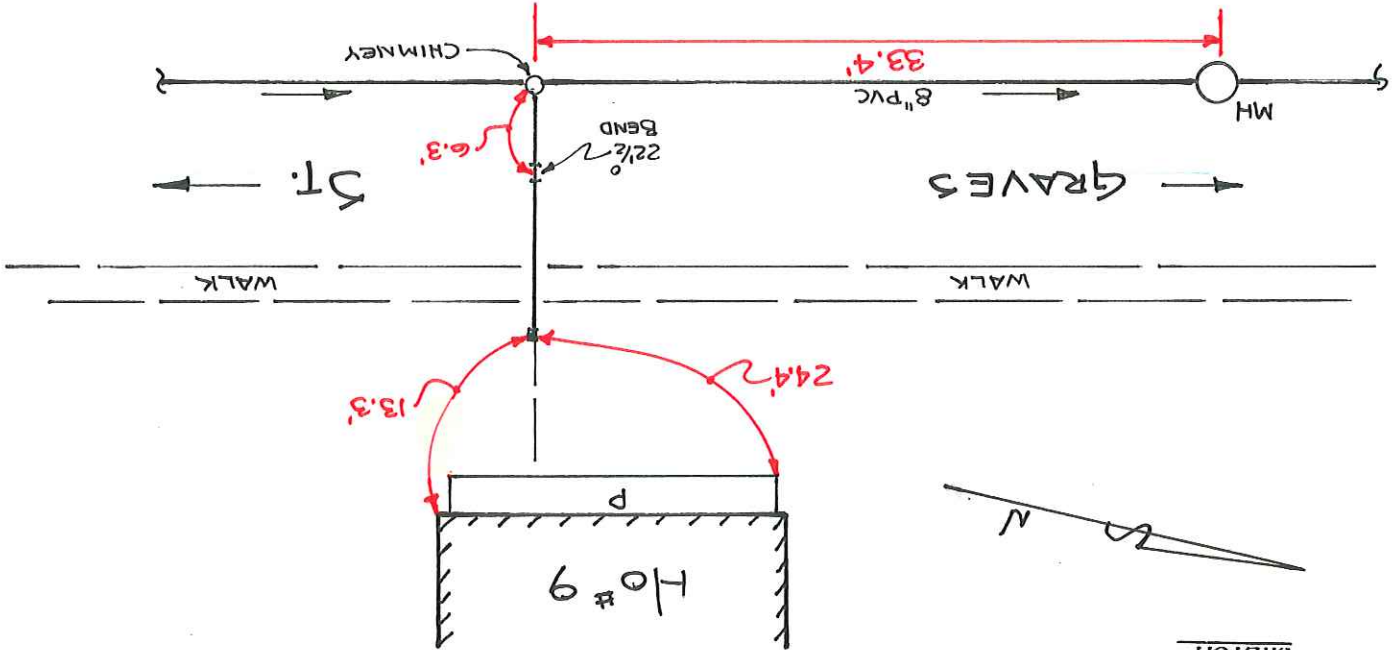
SERVICE SIZE: 6" TYPE: PVC

TYPE CONNECTION: Ferrule DEPTH @ CONNECTION: 4.8'

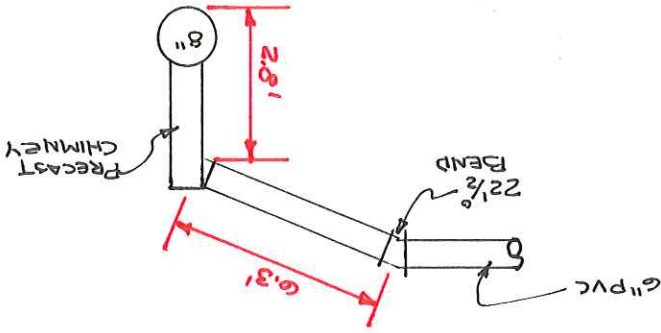
EXISTING SERVICE TYPE: CLAY SIZE: 4"

HOUSE #: 9  
 GRAVES STREET

SKETCH



PROFILE



**SERVICE CONNECTIONS**

PROJECT: East Side Infrastructure Improvements  
 South Hadley, MA

CONTRACTOR: Jack Goncalves & Sons, Inc.  
 172 Munsting Street  
 Ludlow, MA

HOUSE # 10  
**GRAVES STREET**  
 STREET:

**NEW SERVICE**

PIPE QUANTITY: 17.0' DATE INSTALLED: 8/00

CONNECTION TO MAIN	TEE	TEE-WYE	WYE	SADDLE	CHIMNEY
--------------------	-----	---------	-----	--------	---------

SIZE MAIN: 8" TYPE: PVC

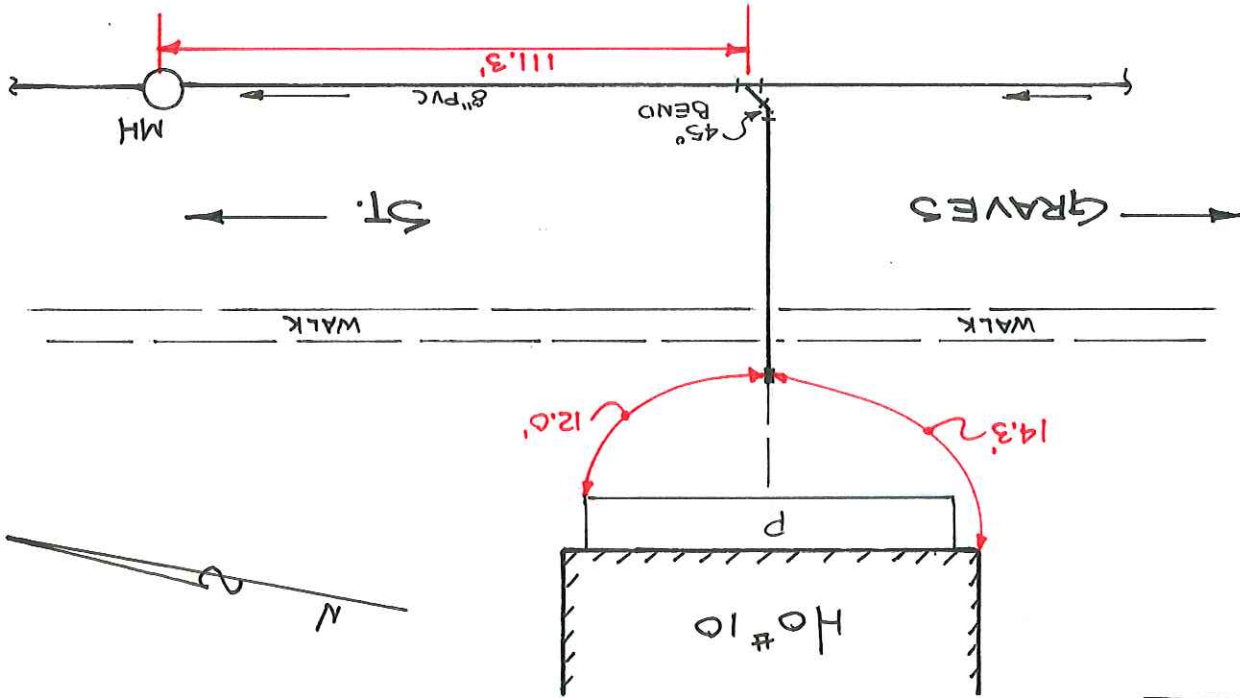
BENDS:	90°	45°	22½°	11¼°
--------	-----	-----	------	------

SERVICE SIZE: 6" TYPE: PVC

EXISTING SERVICE TYPE: CLAY TYPE: CLAY SIZE: 6"

NOTE:

**SKETCH**



**PROFILE**