

SERVICE CONNECTIONS

PROJECT: East Side Infrastructure Improvements
 South Hadley, MA

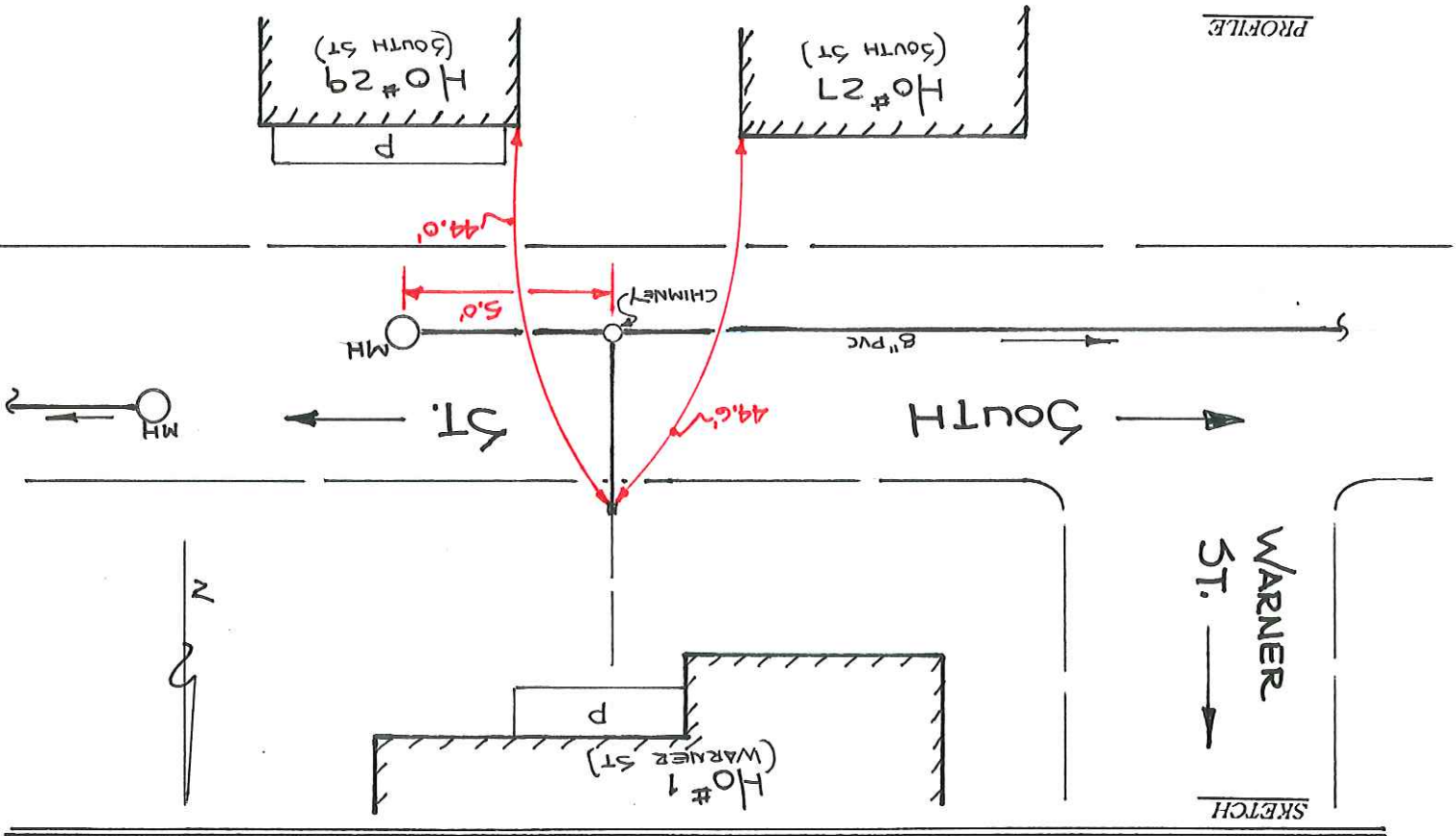
CONTRACTOR: Jack Goncalves & Sons, Inc.
 172 Munsting Street
 Ludlow, MA

NOTE: Ho#1 WARNER ST. HAS
 SHARED CHIMNEY WITH
 Ho#29 SOUTH ST.

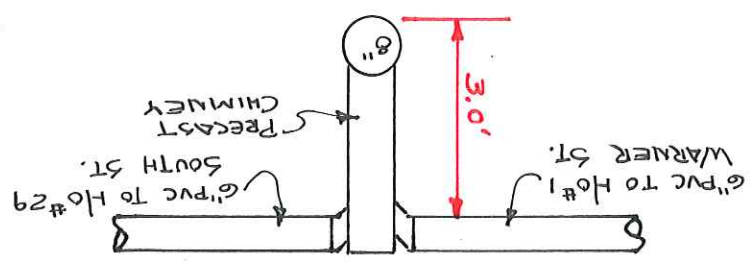
NEW SERVICE
 STREET: WARNER STREET (SERVICE TO SOUTH ST.)
 HOUSE #: 1
 PIPE QUANTITY: 19.0' DATE INSTALLED: 7/00

CONNECTION TO MAIN
 TEE TEE-WYE WYE SADDLE CHIMNEY

SIZE MAIN: 8" TYPE: PVC
 BENDS: 90° 45° 22 1/2° 11 1/2°
 SERVICE SIZE: 6" TYPE: PVC
 TYPE CONNECTION: FEMALE DEPTH @ CONNECTION: 2.5'
 EXISTING SERVICE TYPE: CLAY SIZE: 6"



PROFILE



GARY A. LAWRENCE
 82 WEBBER ROAD
 WHATELY, MA 01093

SERVICE CONNECTIONS

HOUSE # 3
WARNER STREET
 STREET: (SERVICE TO NORTH ST.)

NEW SERVICE

PIPE QUANTITY: 21.2' DATE INSTALLED: 7/00

CONNECTION TO MAIN
 TEE TEE-WYE WYE SADDLE CHIMNEY

SIZE MAIN: 8" TYPE: PVC

BENDS:	90°	45°	22½°	11½°
	1			

SERVICE SIZE: 6" TYPE: PVC

EXISTING SERVICE TYPE: CLAY TYPE CONNECTION: FENCO DEPTH @ CONNECTION: 3.5'

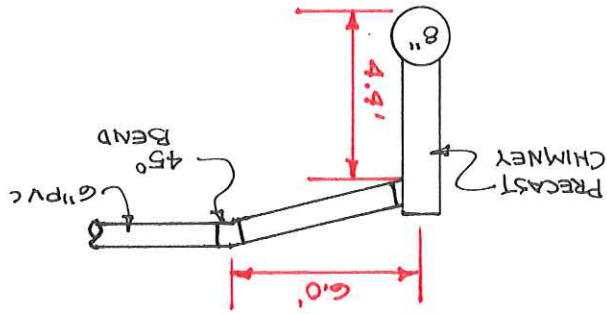
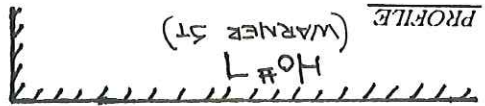
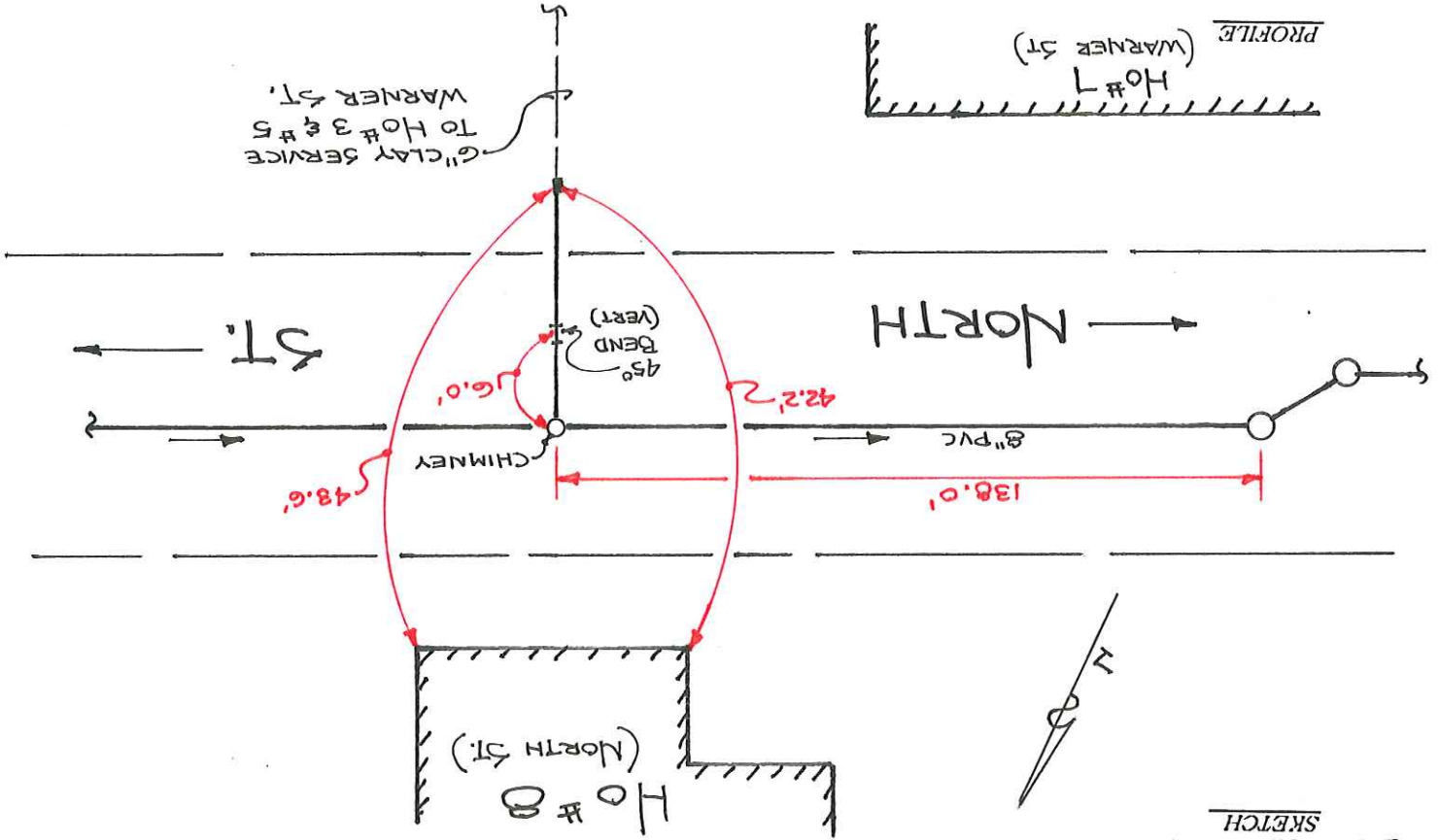
PROJECT: East Side Infrastructure Improvements
 South Hadley, MA

CONTRACTOR: Jack Goncalves & Sons, Inc.
 172 Munising Street
 Ludlow, MA

NOTE: HO#3 HAS SHARED SERVICE WITH HO#5.

SERVICE OUT REAR OF HOUSE.

SKETCH



SERVICE CONNECTIONS

HOUSE # 5
WARNER STREET
 STREET: _____
 (Service to North St.)

NEW SERVICE

PIPE QUANTITY: _____ DATE INSTALLED: _____

CONNECTION TO MAIN

TEE	TEE-WYE	WYE	SADDLE	CHIMNEY
-----	---------	-----	--------	---------

SIZE MAIN: _____ TYPE: _____

BENDS:

90°	45°	22½°	11¼°
-----	-----	------	------

SERVICE SIZE: _____ TYPE: _____

TYPE CONNECTION: _____ DEPTH & CONNECTION: _____

EXISTING SERVICE TYPE: _____ SIZE: _____

PROJECT: East Side Infrastructure Improvements
 South Hadley, MA

CONTRACTOR: Jack Goncalves & Sons, Inc.
 172 Munising Street
 Ludlow, MA

NOTE: HO# 5 HAS SHARED SERVICE WITH HO# 3.
 SERVICE IS FROM REAR OF HOUSE TO NORTH ST.

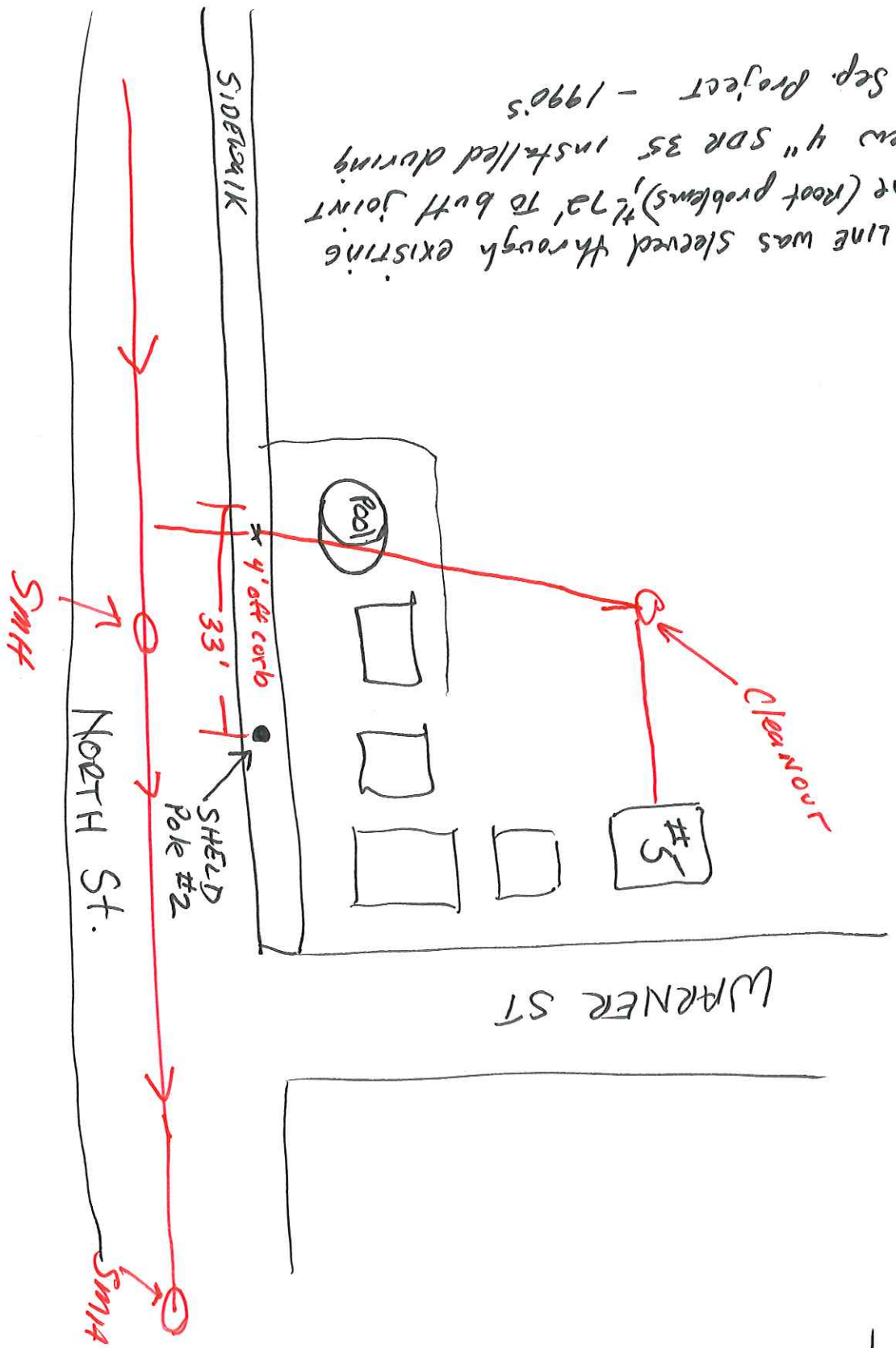
SKETCH

SEE SKETCH FOR HO# 3 WARNER ST.

PROFILE

#5 WARNER STREET

Sewer Service Location + Repair work
by Walton Exc. + ACE Sewer + Drain 8/13/07



New 4" PVC line was sleeved through existing
6" line (root problems) #72' to butt joint
of New 4" SDR 35 installed during
falls Sep. Project - 1990's

SERVICE CONNECTIONS

HOUSE # 7
WARNER STREET
 STREET: (SERVICE TO NORTH ST.)

NEW SERVICE

PIPE QUANTITY: 20.6' DATE INSTALLED: 6/00

CONNECTION TO MAIN
 TEE TEE-WYE WYE SADDLE CHIMNEY

SIZE MAIN: 8" TYPE: PVC

BENDS:

90°	45°	22½°	11¼°
1	1	1	1

SERVICE SIZE: 6" TYPE: PVC

TYPE CONNECTION: FENCE DEPTH @ CONNECTION: 3.0'

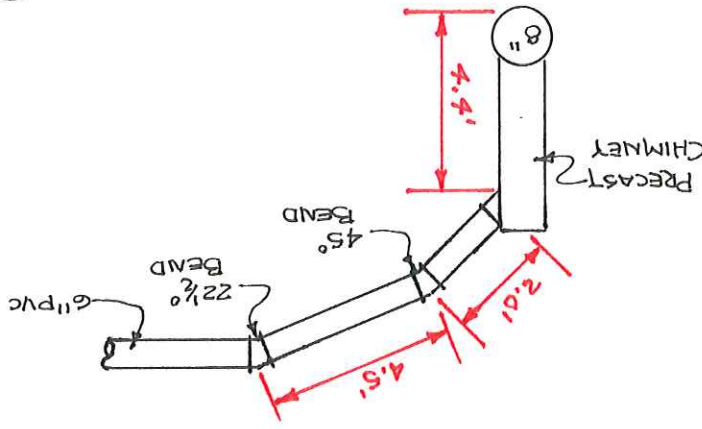
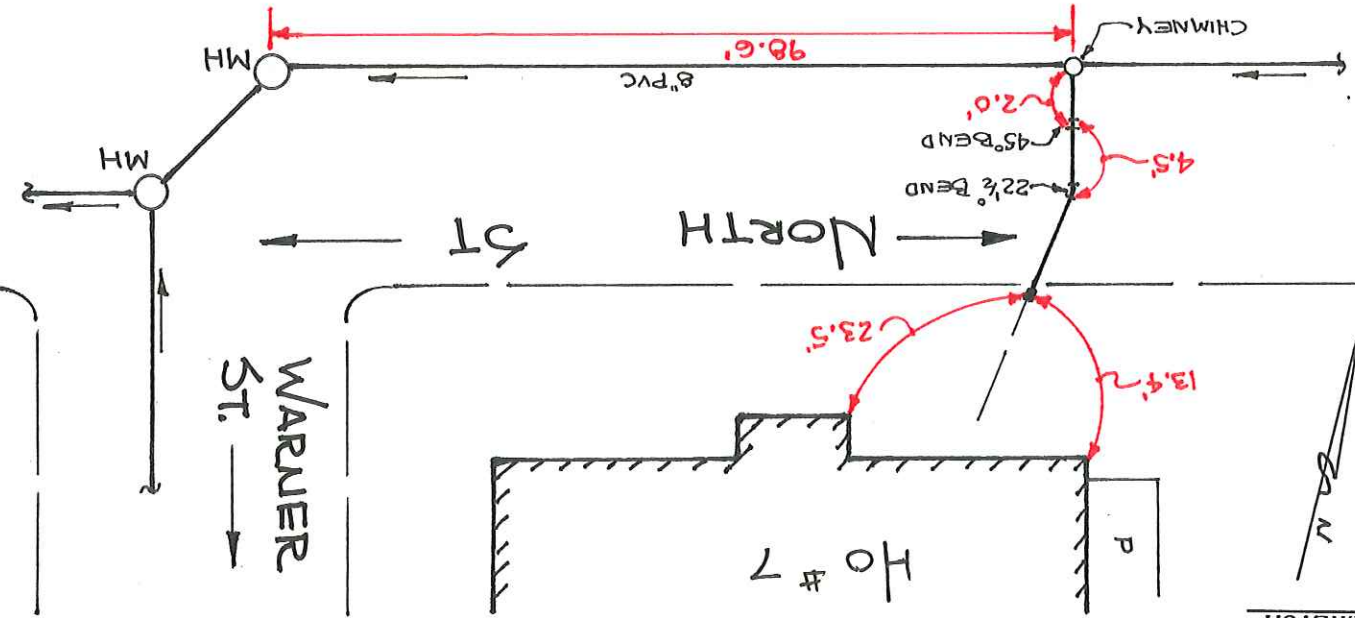
EXISTING SERVICE TYPE: PVC SIZE: 4"

PROJECT: East Side Infrastructure Improvements
 South Hadley, MA

CONTRACTOR: Jack Goncalves & Sons, Inc.
 172 Munising Street
 Ludlow, MA

NOTE:

SKETCH



PROFILE