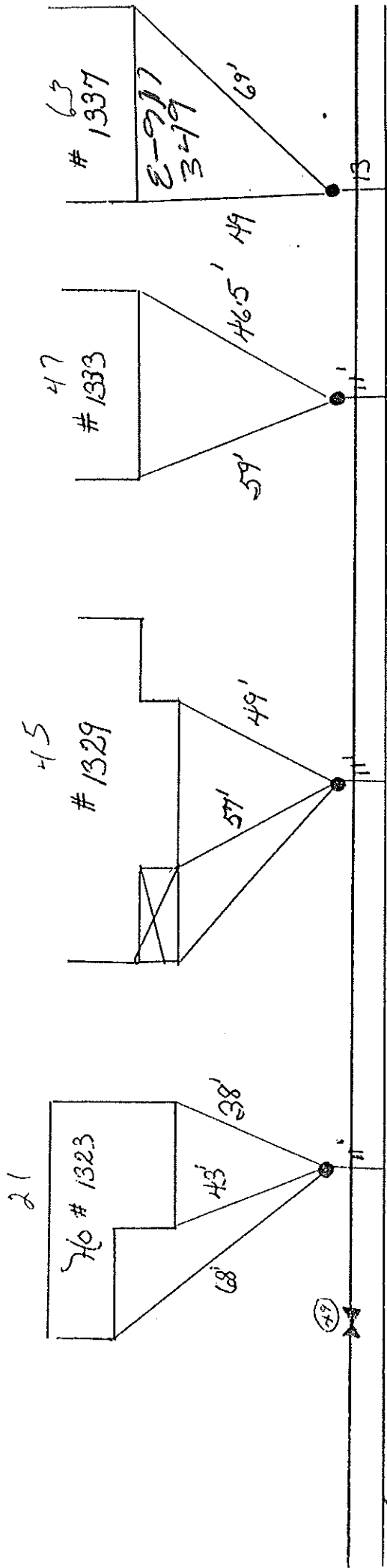
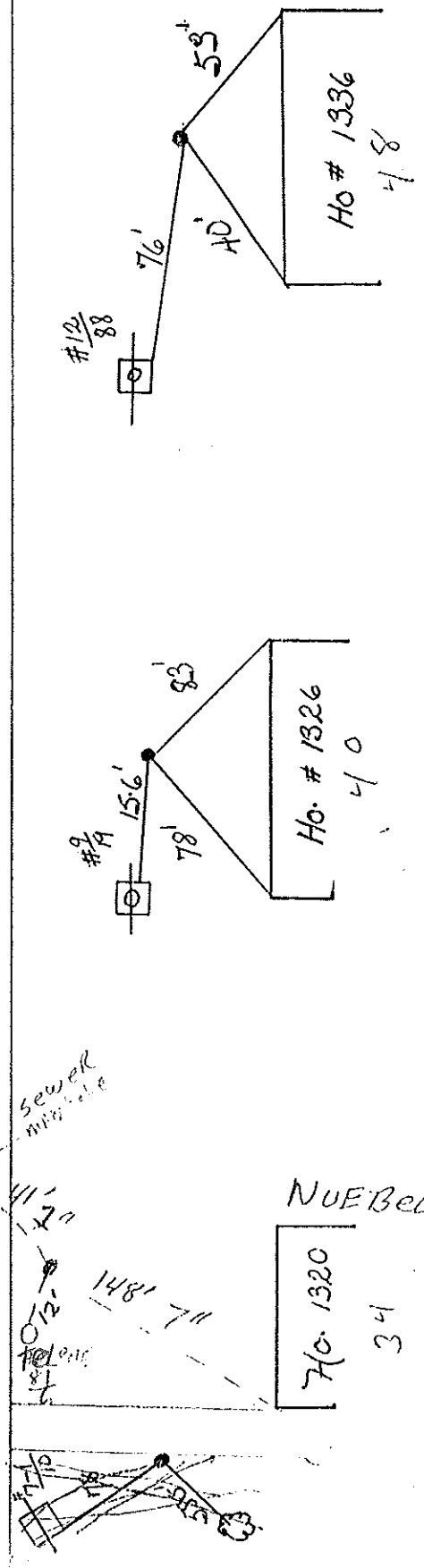


2



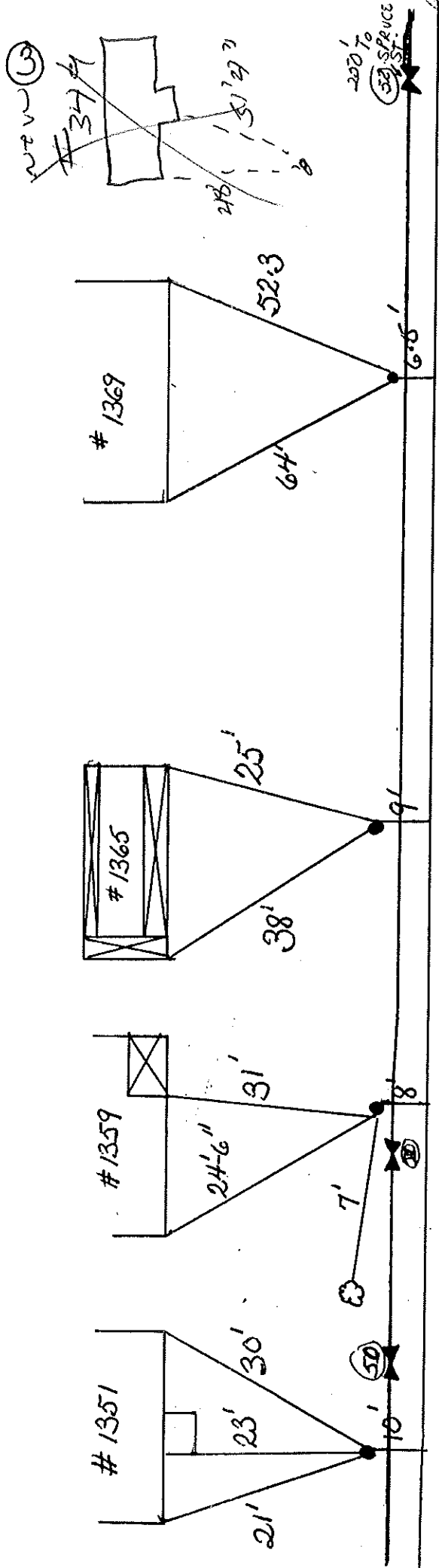
76. Wellington Rd.



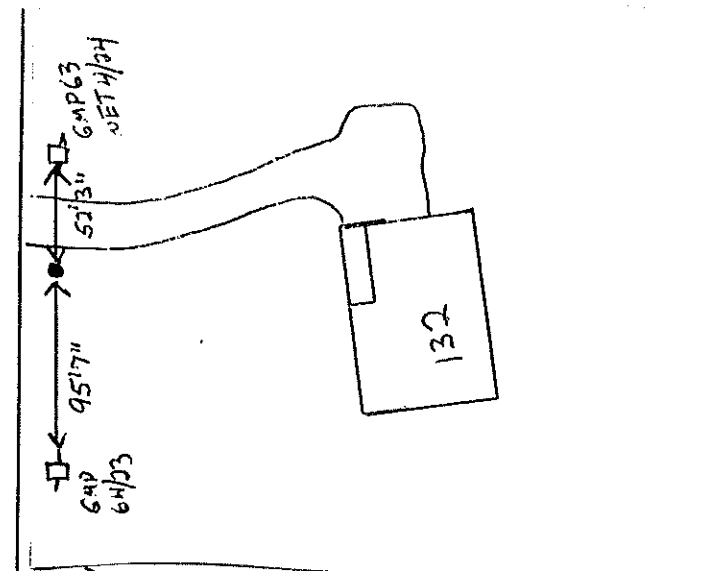
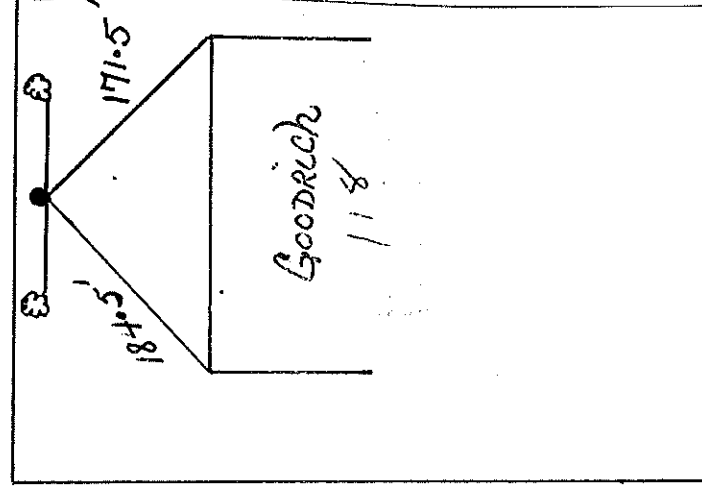
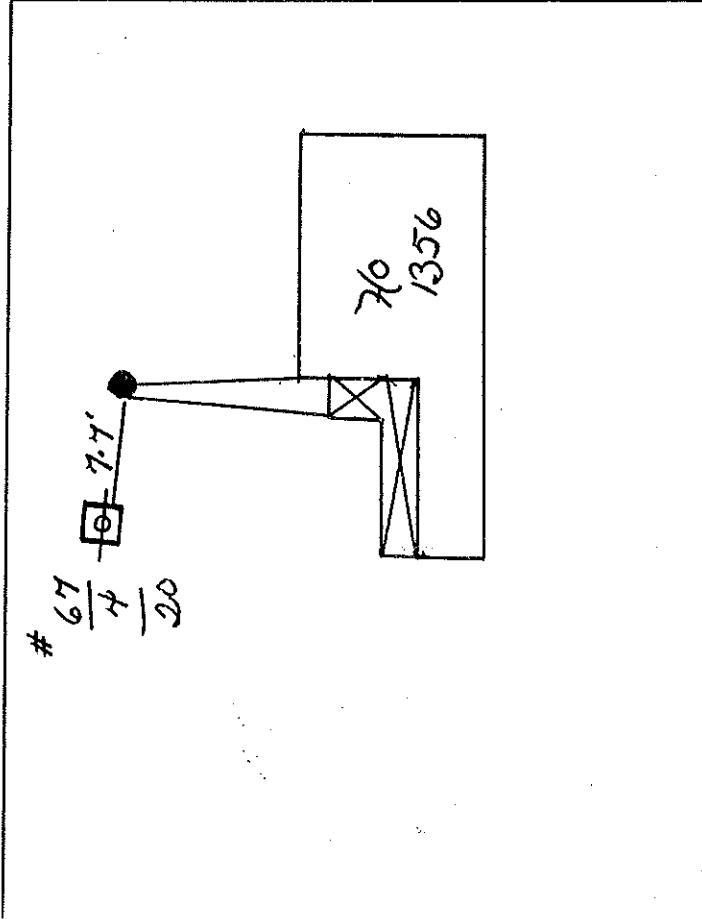
sewer manhole

NUEBEL





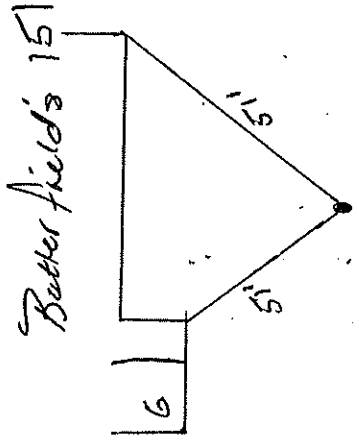
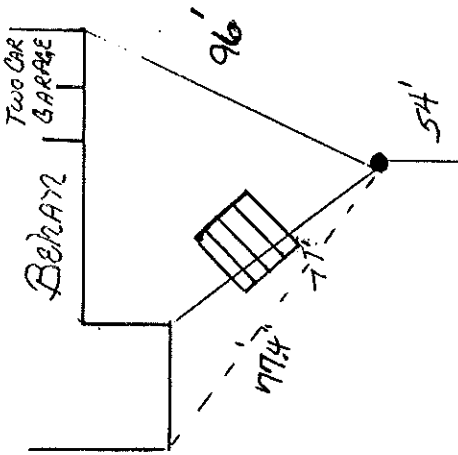
770. Wellstone RD. North



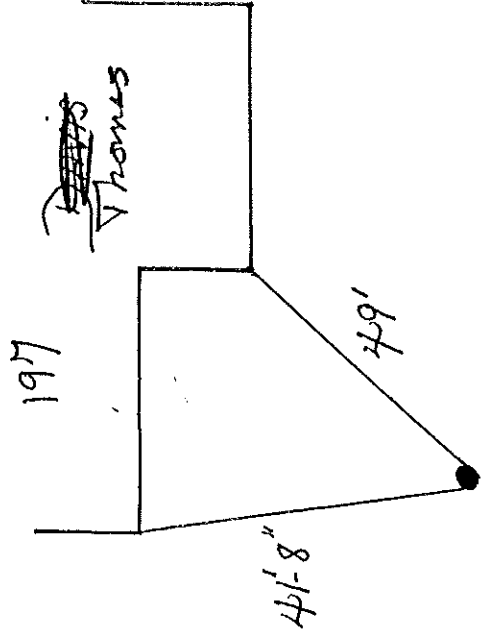
GO 77 CORNER RD.

10

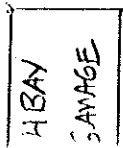
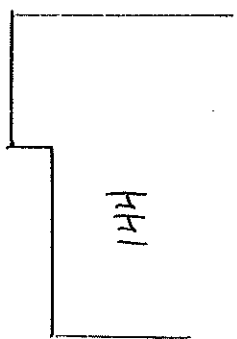
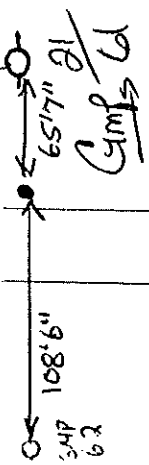
C.S. is 6" Deep  
#145

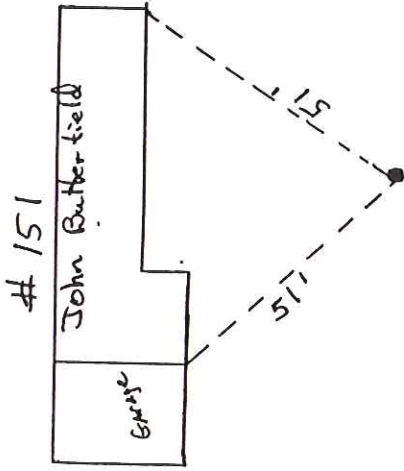


Better fields 151



Worth Hallstone Rd.





North

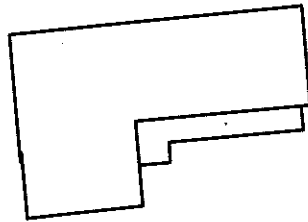
North Wilbiston Road

South  
to  
RTA

528

New House

500



GMP 66



91.5'

48.00

GMP 67



7.70

North Williston Rd.

Golf Course Rd.